

EXPLORE **13 NEW** PRODUCTS  
IN THE LARGEST SELECTION OF  
MEDICAL-GRADE MOUNTING  
SOLUTIONS IN THE WORLD



## TABLE OF CONTENTS

NEW RELEASES • 1, 8-9, 10-11, 12-15, 36-40, 44, 53, 55	CEILING MOUNTS • 28-35
PRODUCT REFERENCE • 2-3	CABINET MOUNTS • 36-43
MEDICAL DEVICE MOUNTS • 4-6	DESK MOUNTS • 44-47, 50
ROLLING STANDS • 7	POLE & LOW PROFILE • 48-51
WALL MOUNTS • 1, 8-27, 50-51	ACCESSORIES • 52-55
	CATALOG INDEX • 56

# Enhance comfort and increase your productivity with our ergonomic mounts.

## ICW MOUNTS ARE:

**Customizable** – Our standard mounts have been modularly designed to integrate with each other and they fit most customer applications. If you have a special mounting need, call us for a customized design. ICW offers onsite design, engineering and manufacturing services so we can quickly respond to your unique requirements.

**Flexible** – We design our mounts to move and adjust with fingertip control. You can easily position your monitor and keyboard exactly where you want them.

**Stowable** – Our products are designed to stow close to the wall so they tuck out of the way when your workspace is tight.

**Extendable** – When you need a mounting solution with maximum reach, contact us. Several of our products provide reach that equals the longest in the industry.

\* Prices may be subject to change.

**Durable** – Arms and mounting systems are ruggedly designed and tested for commercial use. Our finishes are easy to clean and were developed to withstand sanitation required in healthcare and dental facilities.

**Manageable** – Our mounts are designed with optimum cable management, extending the safety and service life of your electronic devices and making sanitation easier.

**Reliable** – Thorough testing and field experience prove that ICW products stand up to the rigors of repeated commercial use. They are guaranteed to last! See our warranty on page 57.

QR code link to catalog:



icwusa.com

## Colors

Match or complement your decor with our selection of three standard or 7 premium custom colors.

### Standard Colors

**Medical White (MW)**

Matches Adec\*

*Most Popular Color*

Gloss **White** gives equipment a spotlessly clean appearance that's easy to sanitize.

**Black (WB)**

**Black** is a satin finish that matches most black computer equipment.

**Quartz Gray (QG)**

**Quartz Gray** has a strong textured finish that matches most classic gray computer gear.

### Custom Colors\*\*\*

**Tan (T)**

**Arctic Silver (SL)**

**Forest Gray (FG)**

**Pewter (PW)**

**Bronze (BR)**

**Shadow (SH)**

**Charcoal (CH)**

\*\* Color swatches are not an exact match due to variations in printing. Please ask your ICW representative for a paint chip sample.

\*\*\* Subject to custom color fee and longer lead time.

# Catalog Index



We offer free workspace evaluations by our experts. If you would like to schedule one, feel free to give us a call.



ICWUSA.com offers the largest variety of custom mounts in the world.

## MOUNTING LOCATION

Accessories.....	52-55
Cabinet Mounts.....	36-43
Ceiling Mounts.....	28-35
CPU Mounts.....	53-55
Desk Mounts .....	44-47, 50
Keyboard Trays .....	52-53
Laptop Mounts .....	47
Medical Device Mounts .....	4-7
Pole & Low Profile Mounts.....	48-51
Rolling Stands .....	7
Wall Mounts.....	8-27, 50-51

## MOUNTS ALPHABETICALLY

About ICWUSA.com, Inc. ....	Back cover
A1, AS1 Extension Arms .....	6, 46
CPU and Device Mounts .....	53-55
CPUMF Computer Mount.....	55
Desk Clamp Mount .....	44
Elite 5216 Wall Mount .....	16-17
Elite 5220 Wall Mount.....	18-19
Elite 6220 Ceiling Mount.....	28-29
Ergovision 65 Wall Mount.....	50
Ergovision 710 Desk Mount .....	50
Fixed Wall Mount.....	51
Galaxy 170, Galaxy 270.....	51
Keyboard Trays .....	52-53
Laptop Tray Mounts.....	47
Medical Device Mounts .....	4-7
Mounting Accessories.....	52-55
Overcabinet Mounts .....	36-39
Overhead Arm, Overhead Short Arm .....	8-9
Pole Mounts.....	48-49
Pro Slide Overcabinet Monitor Mount.....	36-37
Pro Slide Overcabinet Workstation .....	38-39
Pro Slide Undercabinet Workstation.....	40-41
Quick Ref. Healthcare Product Overview ...	2-3
Rolling Stands .....	7
Single Elite 5120 Ceiling Mount .....	32-33
Single Elite 5120 Wall Mount.....	22-23
Tablet Mount .....	45
Titan Arm Wall Mount .....	26
Titan Elite Ceiling Mount.....	30-31
Titan Elite Wall Mount.....	20-21
Ultra 95 Ceiling Mount.....	34
Ultra 180 Arms .....	14-15
Ultra 182 Arms .....	12-13
Ultra 500i Ceiling Mount .....	35
Ultra 500i Wall Track Workstation .....	27
Ultra 510 Desk Mount .....	47
Ultra 510 Wall Mount.....	25
Ultra 550 Desk Mount.....	46
Ultra 550 Wall Mount.....	24
Undercabinet Mounts and Keyboard...	40-43
VESA Quick Connect Plate.....	53
VT21, VT21HDMR, VTLP, VTTM, VT21-KUS .....	10-11
Wall Tracks.....	21

# Quick Reference Product Overview

## Wall Mounts



FEATURES	UL1821-OHAT	ELP5220-W2-KUB-SRVCTRY	T2EP-WT2-KUP	ELP5216-WT-KUB
Max Reach	77.5" (196.9 cm)	69" (175.3 cm)	65" (165.1 cm)	59" (149.9 cm)
Load Capacity	28 lbs (12.7 kg)	30 lbs (13.6 kg)	30 lbs (13.6 kg)	30 lbs (13.6 kg)
Vertical Adjust. Range	24" (61 cm)	38" (96.5 cm)	19" (48.3 cm)	28" (71.1 cm)
Arm Swivel at Wall	180°	180°	180°	180°
Arm Swivel at Mount	360°	270°	270°	270°
Stowed Depth	4" (10.2 cm)	10" (25.4 cm)	10.5" (26.7 cm)	10.5" (26.7 cm)
Page Ref.	8-9	18-19	20-21	16-17



FEATURES	UL180EV7-W3-KUS-A1	UL550-W3-KPB-A2	UL182EV7-W3-KUB	VT21HDMR-KUW
Max Reach	47" (119.4 cm)	43" (109.2 cm)	35.5" (90.2 cm)	23" (58.4 cm)
Load Capacity	32 lbs (14.5 kg)	30 lbs (13.6 kg)	32 lbs (14.5 kg)	25 lbs (11.3 kg)
Vertical Adjust. Range	16" (40.6 cm)	6" (15.2 cm)	24" (61 cm)	21" (53.3 cm)
Arm Swivel at Wall	180°	180°	180°	N/A
Arm Swivel at Mount	270°	270°	270°	N/A
Stowed Depth	10" (25.4 cm)	13.5" (34.3 cm)	9.5" (24.1 cm)	5.5" (14 cm)
Page Ref.	14-15	24	12-13	10-11

## CPU Mounts



FEATURES	CPU12	Clamp Style	Frame Style	MINIPC1212
Size	8" (20.3 cm) (w) x 9" (22.9 cm) (h) x 2" (5.1 cm) (d)	2" (5.1 cm) to 8" (20.3 cm) (w)	1" (2.5 cm) to 11" (27.9 cm) (w)	For Micro Computers with a VESA Attachment
Page Ref.	55	54	54	55

**ICWUSA features over 6,000 mounting solutions.  
Here are popular configurations that are ideal for Healthcare.**

## Ceiling Mounts



FEATURES	ELP6220-XT24-KUB	T2EQ-C8X5	ELQ5120-C8X12	UL95-CU
Max Reach	42" (106.7 cm)	44" (111.8 cm)	27" (68.6 cm)	N/A
Load Capacity	22 lbs (10 kg)	28 lbs (12.7 kg)	28 lbs (12.7 kg)	18 lbs (8.2 kg)
Vertical Adjust. Range	38" (96.5 cm)	19" (48.3 cm)	19" (48.3 cm)	13.5-32" (34.3-81.3 cm)
Arm Swivel at Mount	270°	360°	360°	360°
Page Ref.	28-29	30-31	32-33	34

## Specialty Mounts



FEATURES	UL180IBV-PS28-D1-A1	LUS-W2-AS1	TABS-DM	UL180HP-W3-KUB-AS1 / DMR
Max Reach	28" (71.1 cm)	26" (66 cm)	17.5" (44.5 cm)	38" (96.5 cm)
Load Capacity	32 lbs (14.5 kg)	28 lbs (12.7 kg)	28 lbs (12.7 kg)	42 lbs (19.1 kg)
Vertical Adjust. Range	12" (30.5 cm)	N/A	8" (20.3 cm)	16" (40.6 cm)
Arm Swivel at Wall	N/A	180°	N/A	180°
Arm Swivel at Mount	Up to 360°	270°	360°	270°
Page Ref.	43	47	45	Available Upon Order

## Accessories



**Wall Tracks and  
CPU Mounts  
available  
upon order**

FEATURES	VESA Quick Connect (VQC)	GX170 / GX270 Pivoting Wall Mount	Device Cable Hook
Attributes	Easily Remove Monitors and Mini Computers	4" (10.2 cm) to 9" (22.9 cm) from wall	8" (20.3 cm) (w) x 3.25" (8.3 cm) (h)
Page Ref.	53	51	6

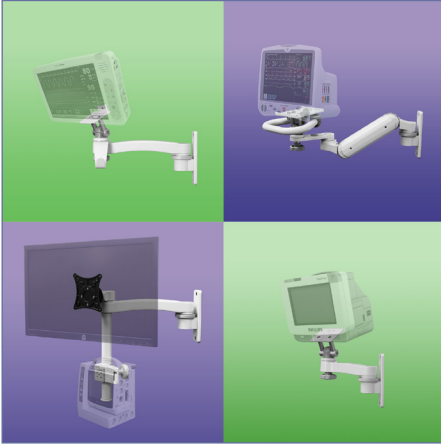
# Medical Device Mounts



## ATTENTION BIO-MED DEPARTMENTS!

ICWUSA.com manufactures Medical Device Mounts for most medical devices.

ICW's Medical Device Mounts are able to mount on anesthesia carts, OEM carts, headwalls, wall tracks, wall mounts and pole mounts. Contact us at 1-800-558-4435 for a complimentary evaluation walk through.



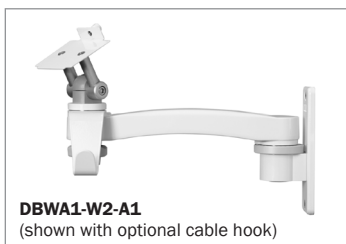
**UL180BV-DBNK2-  
W2-A1-AS1**  
(shown on left side)

**UL180EV7-KUB-W2-A1**  
(shown on right side)

## MEDICAL DEVICE MOUNTS



**DBPH1-W2-AS1**



**DBWA1-W2-A1**  
(shown with optional cable hook)



**UL180-DBGE3-W2**  
with optional handle  
(shown with optional cable hook)



**ULBV-DBNK2-W2-A1**



**UL180-DBPH4-W2**

## DEVICE BRACKETS



**DBPH1** with optional hook and/or handle (not shown)



**DBWA1** with optional hook and handle (not shown)

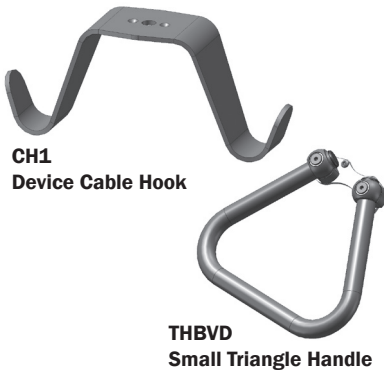


**ULBV-DBNK2**



**DBGE1** with optional hook and handle (not shown)

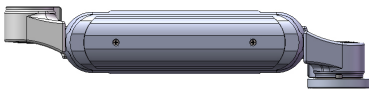
**OPTIONAL AMENITIES**



**CH1**  
Device Cable Hook

**THBVD**  
Small Triangle Handle

**ARTICULATING ARMS**



**Ultra 180**  
Articulating arm with  
13.5" of reach

**Ultra 180**  
See pages 14-15  
for details.

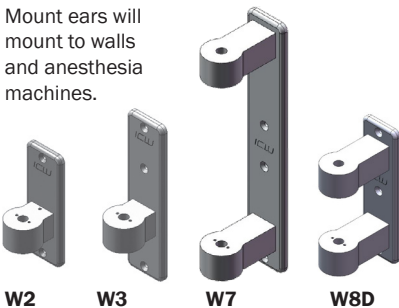


**Ultra 182**  
Articulating arm with  
17.5" of reach

**Ultra 182**  
See page 12-13  
for details.

**CHANNEL / WALL BRACKETS**

Mount ears will  
mount to walls  
and anesthesia  
machines.



**W2**

**W3**

**W7**

**W8D**

**EXTENSION ARMS**



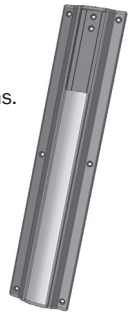
**AS1**  
Rigid arm with 6" of reach



**A1**  
Rigid arm with 10.5" of reach

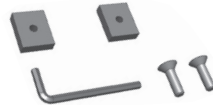
**TRACKS**

MD track available  
in 19", 26", 36" and  
50" standard lengths.  
Custom Lengths  
also available.

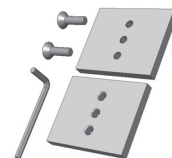


**Wall Track  
Options**  
See page 21  
for details.

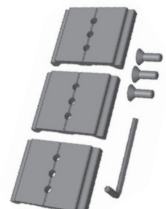
**TRACK ADAPTERS**



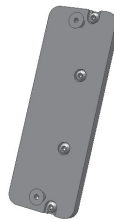
**TAW2  
DRAEGER KIT**



**TAW2KIT  
Universal  
Flat Adapter**



**TAWD18KIT  
Raised Track  
Adapter**



**DODT  
Channel  
Track Adapter**



**AMDT  
Track Adapter**



## Rolling Stands

Whether you need a mobile workstation that can easily be moved from one area of a facility to another, or you're looking for the unit best suited for a doctor-to-patient telemedicine video assistance session, ICWUSA.com's expanding line of Rolling Stands provides the ideal solution for either situation.

### NEW! VT21HDMR Workstation Rolling Stand (PA55VT21HKUWDMR-WB)



SPECIFICATIONS	
<b>Adjustable Load Capacity</b>	20-35 lbs (9.1-15.9 kg)
<b>Vertical Adjust. Range</b>	21" (53.3 cm)
<b>Overall Base Diameter</b>	26" (66 cm)
<b>Monitor Rotation</b>	360°
<b>Monitor Tilt</b>	50°
<b>VESA Interface</b>	75 mm and 100 mm

*Computer, monitor and keyboard not included.*

### NEW! TeleMed Cart (RS36X2UL180BV)



SPECIFICATIONS	
<b>Adjustable Load Capacity</b>	0-10 lbs (0-4.5 kg)
<b>Vertical Adjust. Range</b>	16" (40.6 cm)
<b>Maximum Horizontal Reach</b>	43.5" (110.5 cm)
<b>Overall Base Diameter</b>	26" (66 cm)
<b>Monitor Rotation</b>	360°
<b>Monitor Tilt</b>	50°
<b>VESA Interface</b>	75 mm and 100 mm

### NEW! Elite 5220 Workstation Rolling Stand (RSP35X2ELQ5280PT2-WB)



SPECIFICATIONS	
<b>Adjustable Load Capacity</b>	0-22 lbs (0-9.9 kg)*
<b>Vertical Adjust. Range</b>	42" (107 cm)
<b>Base Dimensions</b>	28 x 20" (71.1 x 50.8 cm)
<b>Monitor Rotation</b>	Landscape to portrait position
<b>Monitor Tilt</b>	50°
<b>VESA Interface</b>	75 mm and 100 mm

*Monitor and keyboard not included.*

\*Load capacity depends on weight of base.

Ask about our additional Rolling Stand configurations

# Overhead Arm

**UL182iOHAT Wall TRACK Mount**  
**UL182iOHAP Wall PLATE Mount**

## Exceptional reach for a monitor

ICW's unique overhead mounting arm is an excellent solution for healthcare and dental environments. It's also ideal for industrial applications including shipping and receiving, and factories that require long reach and extensive range of motion for a monitor. Attaches to wall on a track or plate, or can be mounted within or over a cabinet.

- **ATTACHES** to the wall or above a cabinet, providing 180° of horizontal rotation at the mount.
- **PROVIDES** up to 360° of horizontal rotation for a monitor.
- **CONVENIENTLY STOWS** just 4" (10.2 cm) from the wall and monitor can be pulled out when needed.
- **INTERNAL WIRE MANAGEMENT** for regular or low voltage.
- **POWDER COATED** for durability in your choice of 14 color options.



### Wall Track Mount

See page 21 for details.

SPECIFICATIONS	Standard Overhead Arm UL182i-OHAT/OHAP	Overhead Short Arm UL182i-OHATS/OHAPS
<b>Load Capacity</b>	28 lbs (12.7 kg)	28 lbs (12.7 kg)
<b>Maximum Horizontal Reach</b>	77.5" (196.9 cm) with UL182	63" (160 cm) with UL182
<b>Vertical Adjustment Range</b>	56.5" (143.5 cm)	42" (106.7 cm)
<b>Horizontal Swivel</b>	24" (61 cm)	24" (61 cm)
<b>Stowed Depth</b>	180° at mount	180° at mount
<b>Mounting Surface</b>	4" (10.2 cm)	4" (10.2 cm)
<b>Ultra 182 Arm Swivel</b>	Wall track or wall plate	Wall track or wall plate
<b>Monitor Swivel</b>	360°	360°
<b>Monitor Tilt</b>	360°	360°
<b>VESA Interface</b>	90°	90°
<b>Finish</b>	75 mm and 100 mm	75 mm and 100 mm
	Powder coat	Powder coat

Monitor, keyboard and mouse not included.

**Price:**  
**\$1,840**

**Price:**  
**\$1,840**

Range of Motion Video

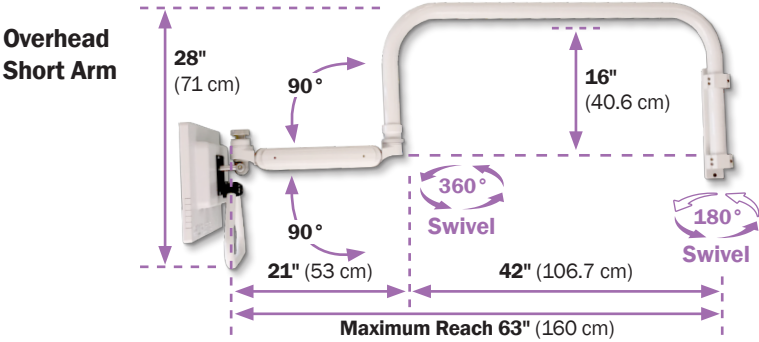


For more options visit our website or call your customer service representative

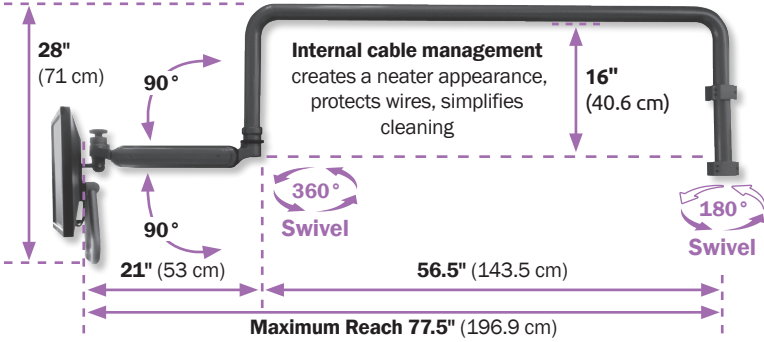
# Overhead Short Arm

UL182iOHATS Wall TRACK Mount  
UL182iOHAPS Wall PLATE Mount

Now there are two sizes to fit in any dental operatory



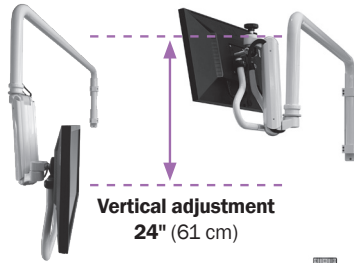
## Standard Overhead Arm



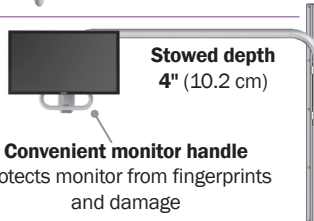
### Overhead Arm Movement and Features



Wall Plate Mount



**Monitor Swivel**



### Standard Color Options

Medical White (MW)

Black (WB)

Quartz Gray (QG)

7 custom colors available upon request. See the inside cover.

AVAILABLE IN THREE MODELS: VT21, VTLP, VTTM, VT21HDMR

# VT21 Workstation

Low profile SIT-STAND workstation in three models

**INDUSTRY-LEADING**  
21" of vertical movement.

**INDUSTRY-LEADING**  
4" of stowed depth.

**TRUE SIT-STAND**  
**WORKSTATION.**

- Quiet and smooth movement.
- All models are available with either our **WorkSurface Tray** or **Flip-Up Keyboard Tray**.
- **Load Capacity:** 25 lbs (11.3 kg)
- **15°** of total keyboard tilt.

**Starting Price: \$1,179**

Range  
of Motion  
Video



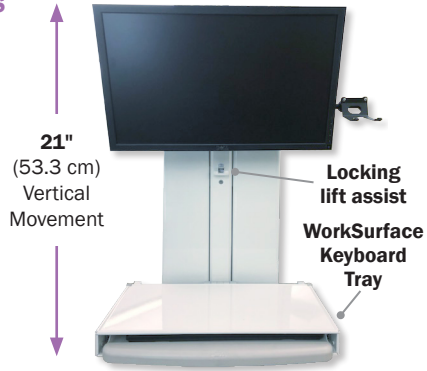
## VT21HDMR Dual Monitor



VT21HDMR SPECIFICATIONS	
Extended Depth	17" (43.2 cm)
Stowed Depth (Monitor Swivel and Tilt)	5.5" (14 cm)

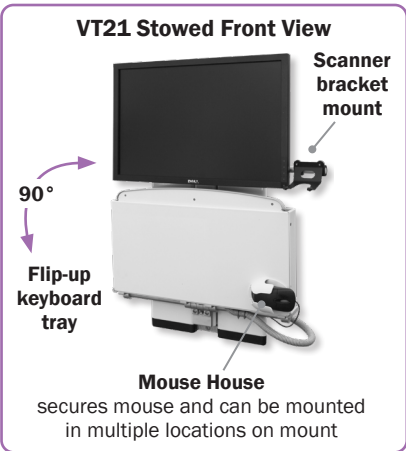
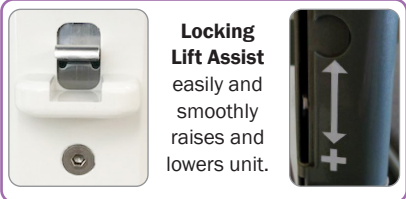
Monitor, keyboard and mouse not included.

## VT21



VT21 SPECIFICATIONS	
Extended Depth	17" (43.2 cm)
Stowed Depth (Monitor Swivel and Tilt)	5.5" (14 cm)

Monitor, keyboard and mouse not included.



**TRUE SIT-STAND workstation with 21" of vertical movement**

## VTLP Low Profile



### VTLP SPECIFICATIONS

<b>Extended Depth</b>	17" (43.2 cm)
<b>Stowed Depth (Mounts Flat Against Wall)</b>	4" (10.2 cm)

Monitor, keyboard and mouse not included.

## VT21-KUS

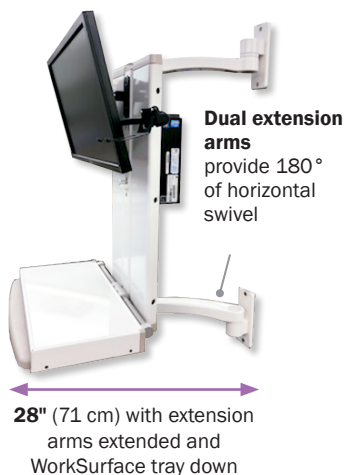


### VT21-KUS SPECIFICATIONS

<b>Extended Depth</b>	17" (43.2 cm)
<b>Stowed Depth (Monitor Swivel and Tilt)</b>	5.5" (14 cm)

Monitor, keyboard and mouse not included.

## VTTM Dual Arm

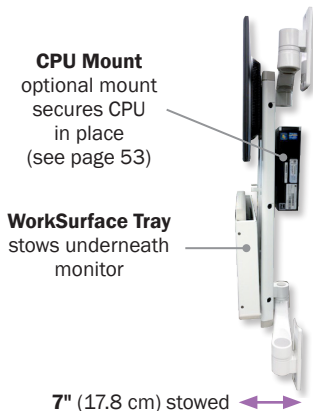


### VTTM DUAL ARM SPECIFICATIONS

<b>Extended Depth with Extension Arms</b>	28" (71 cm)
<b>Stowed Depth (Mounts Flat Against Wall)</b>	7" (17.8 cm)
<b>Horizontal Swivel at Mount (Monitor Swivel and Tilt)</b>	180°

Monitor, keyboard and mouse not included.

### VTTM Stowed Side View



### Standard Color Options

Medical  
White  
(MW)

Black  
(WB)

Quartz  
Gray  
(QG)

7 custom colors available upon request. See the inside cover.

UL182EV7-W3-KUB-A1

# Ultra 182 Arm

**INDUSTRY-LEADING Full 180°  
and 24" of Vertical Adjustability**

The patented Ultra 182 offers an unprecedented range of motion and rotates at every joint (PATENT 9,243,743)

- **VERSATILE.** The Ultra 182 can be configured to your specific needs. Ideal for computer workstations, and for mounting medical and industrial devices.
- **COMPACT.** The Ultra 180 and Ultra 182 stow 10" (25.4 cm) from the mounting surface and are ideal for space-constrained areas.
- **CABLE MANAGEMENT** system conceals cables and routes them through the arm for a neater appearance and to simplify cleaning.
- **INVERTED mount capabilities for all Ultra 180 and Ultra 182 arms to increase reach and avoid chair rails.**

## Ultra Arms Offer Industry-Leading Horizontal and Vertical Range of Motion



ULTRA 182

**NEW! ULTRA 182H  
HEAVY DUTY**

SPECIFICATIONS	Ultra 182	Ultra 182H
<b>Load Capacity</b>	0-32 lbs (14.5 kg)	7-45 lbs (3.2-20.4 kg)
<b>Maximum Horizontal Reach</b>	47" (119.4 cm)	47" (119.4 cm)
<b>Vertical Adjustment Range</b>	24" (61 cm)	24" (61 cm)
<b>Stowed Depth</b>	10" (25.4 cm)	10" (25.4 cm)
<b>Horizontal Rotation at Wall</b>	180° at mount	180° at mount
<b>Horizontal Rotation at A1 Joint</b>	270° at mount	270° at mount
<b>Monitor Tilt</b>	50°	50°
<b>Monitor Pan Left-to-Right</b>	270°	270°
<b>Monitor Rotation</b>	Landscape to portrait position	Landscape to portrait position
<b>VESA Interface</b>	75mm and 100mm	75mm and 100mm

Range  
of Motion  
Video



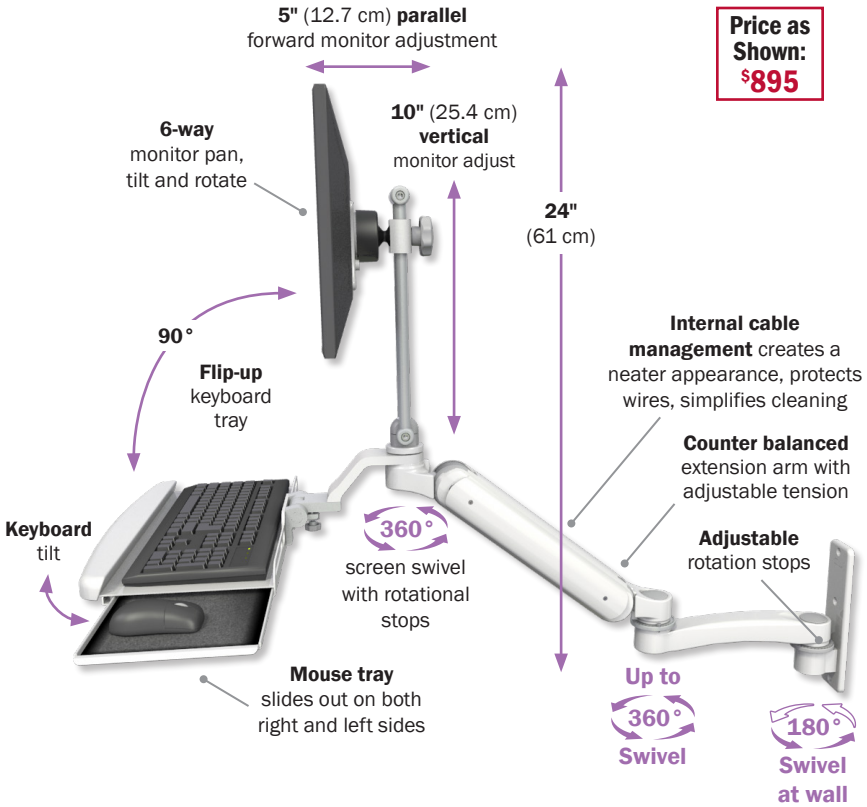
Monitor, keyboard and mouse not included.

The Ultra 180 and Ultra 182 arms are protected by U.S. Patent 9,243,743.

For more options visit our website or call your customer service representative

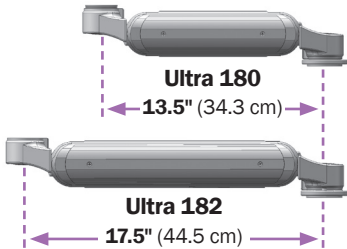
**A true sit-stand workstation with 24" of vertical movement**

**Price as Shown:**  
**\$895**

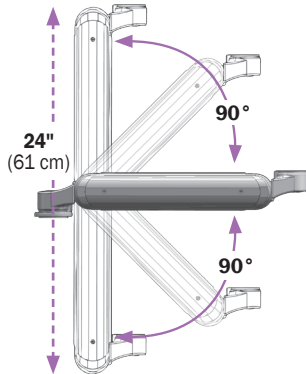


**The Ultra 180 and 182 have identical range of motion**

**Ultra 182 and 180 Length Comparison**



**Ultra 182 Range of Motion**



**Standard Color Options**

Medical White (MW)

Black (WB)

Quartz Gray (QG)

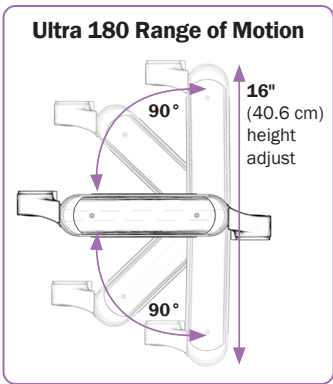
7 custom colors available upon request. See the inside cover.

UL180EV7-W3-KUB-A1

# Ultra 180 Arm

The best and most versatile short arm in the world (PATENT 9,243,743)

Patented Ultra 180 arm offers full articulation of your monitor and keyboard while supporting up to 32 lbs (14.5 kg). Fully cable managed, it provides 180° of vertical arm rotation and up to 360° of horizontal rotation. The Ultra 180 stows close to the wall, making it the perfect choice for tight spaces.



## Ultra Arms Offer Industry-Leading Horizontal and Vertical Range of Motion



SPECIFICATIONS	Ultra 180	Ultra 180H
<b>Load Capacity</b>	0-32 lbs (0-14.5 kg)	0-42 lbs (0-19.1 kg)
<b>Maximum Horizontal Reach</b>	43.5" (110.5 cm)	43.5" (110.5 cm)
<b>Vertical Adjustment Range</b>	16" (40.6 cm)	16" (40.6 cm)
<b>Stowed Depth</b>	10" (25.4 cm)	10" (25.4 cm)
<b>Horizontal Rotation at Wall</b>	180° at mount	180° at mount
<b>Horizontal Rotation at A1 Joint</b>	270° at mount	270° at mount
<b>Monitor Tilt</b>	50°	50°
<b>Monitor Pan Left-to-Right</b>	270°	270°
<b>Monitor Rotation</b>	Landscape to portrait position	Landscape to portrait position
<b>VESA Interface</b>	75mm and 100mm	75mm and 100mm



Monitor, keyboard and mouse not included.

The Ultra 180 and Ultra 182 arms are protected by U.S. Patent 9,243,743.

For more options visit our website or call your customer service representative



**Stowed View**



10" (25.4 cm)

**Stows tightly against wall**

*The ONLY arm with full 180° of vertical rotation!*

**Price as Shown:**  
**\$820**

**6-way** monitor pan, tilt and rotate

**Internal cable management** creates a neater appearance, protects wires, simplifies cleaning

16" (40.6 cm) of height adjustment

90° **Flip-up** keyboard tray

180° vertical rotation

**Keyboard tilt**

**Mouse tray** slides out on both right and left sides

Up to 360° Swivel

180° Swivel at wall

43.5" (110.5 cm)

**Mini PC Mount**

mounts behind the monitor on VESA plate



**UL180iEV7-W3-KUB-A1**

Inverted Ultra 180 **SRVCTRY**

Flip-up Service Tray stows under monitor

**Keyboard tilt**



**6-way** monitor pan, tilt and rotate

**The Ultra 180 arm** is the perfect mount for any medical device.

**UL180EV6-W3-A1** (top arm)

**UL180-W3-KUW-A1** (bottom arm)

**Price as Shown:**  
**\$550**

**Price as Shown:**  
**\$830**

**Standard Color Options**

Medical White (MW)

Black (WB)

Quartz Gray (QG)

7 custom colors available upon request. See the inside cover.

ELP5216-WT-KUS

# Elite 5216 Wall Mount

Our popular Elite series has a NEW addition

**Dual monitor options available**

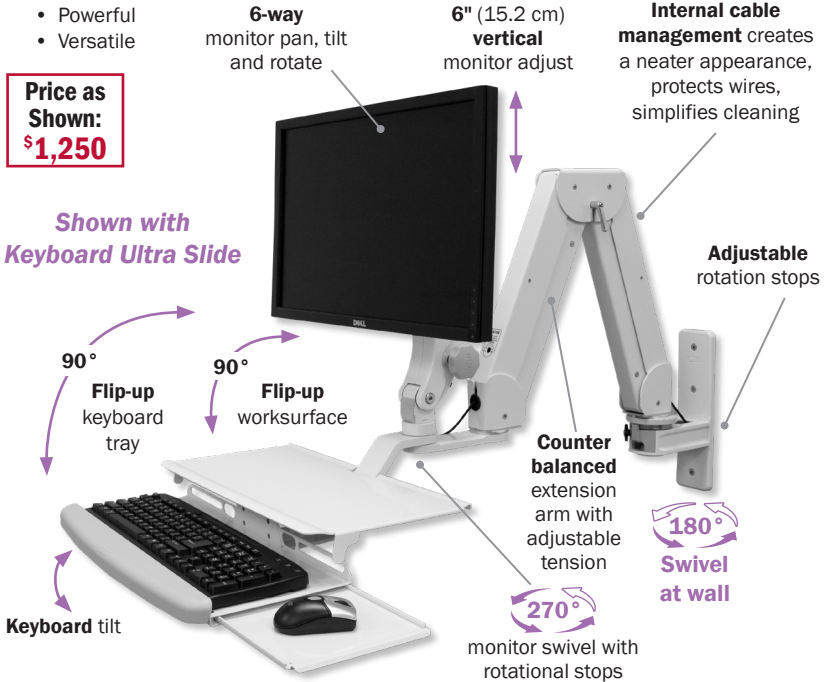
The Elite 5216 has all the features of the 5220 while being 10" shorter.

The Elite 5216 is:

- Compact
- Powerful
- Versatile

**Price as Shown:**  
**\$1,250**

*Shown with Keyboard Ultra Slide*



SPECIFICATIONS	
<b>Load Capacity</b>	30 lbs (13.6 kg) with LCD only
	22 lbs (10 kg) with LCD and Keyboard
<b>Vert. Adjustment Range</b>	30" (76.2 cm)
<b>Maximum Reach</b>	43" (109.2 cm) with LCD only
	58" (147.3 cm) with LCD and Keyboard
	64" (162.6 cm) with LCD and Keyboard Ultra Slide
<b>Stowed Depth</b>	10.5" (26.7 cm)
<b>Arm Swivel at Mount</b>	180°
<b>Screen Swivel</b>	360°
<b>Screen Tilt</b>	50°

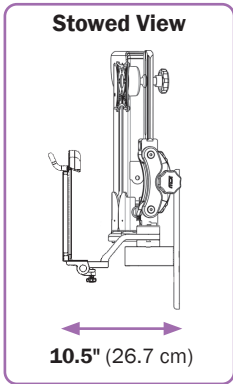
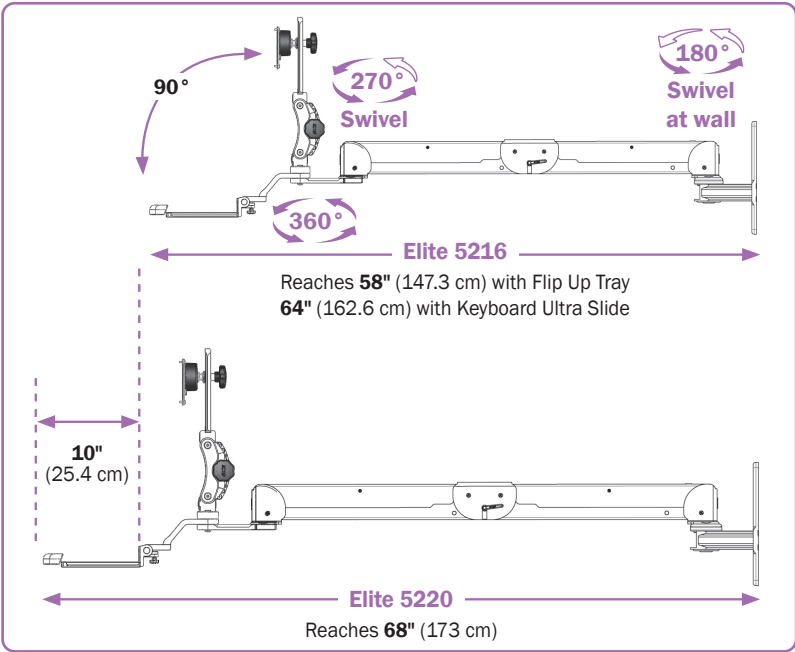
**Range of Motion Video**



Monitor, keyboard and mouse not included.

For more options visit our website or call your customer service representative

**TRUE SIT-STAND workstation with 30" of vertical movement**



**Keyboard Options**  
See page 52-53 for details.

**SEE WHAT'S NEW AT ICWUSA ON SOCIAL MEDIA**

**Standard Color Options**

Medical White (MW)	Black (WB)	Quartz Gray (QG)
--------------------	------------	------------------

7 custom colors available upon request. See the inside cover.

ELP5220-WT-KUB

# Elite 5220 Wall Mount

Experience effortless movement, optimal viewing angles and unparalleled reach

Ideal in medical operating rooms and dental operatories, the double arm Elite 5220 supports up to 30 lbs (13.6 kg) while providing effortless movement. The Elite allows a monitor to be suspended and pulled out to a maximum reach of 68" (173 cm).

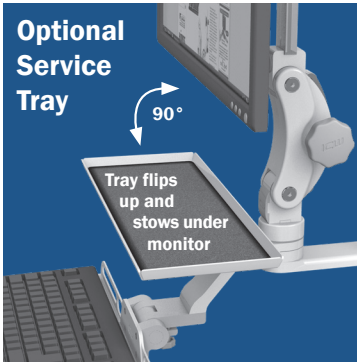
5" (12.7 cm) parallel forward monitor adjustment

SPECIFICATIONS	
<b>Load Capacity</b>	30 lbs (13.6 kg) with LCD only
	22 lbs (9.9 kg) with LCD and Keyboard
<b>Vert. Adjust. Range</b>	42" (106.7 cm)
<b>Maximum Reach</b>	56.25" (142.9 cm) with LCD only
	58" (147.3 cm) with LCD and Keyboard
	68" (173 cm) with LCD and Keyboard Ultra Slide
<b>Stowed Depth</b>	10.5" (26.7 cm)
<b>Arm Swivel at Mount</b>	180°
<b>Screen Swivel</b>	360°
<b>Screen Tilt</b>	50°
<b>VESA Interface</b>	75 mm and 100 mm

6-way monitor pan, tilt and rotate

**Price:**  
**\$1,128**

Monitor, keyboard and mouse not included.



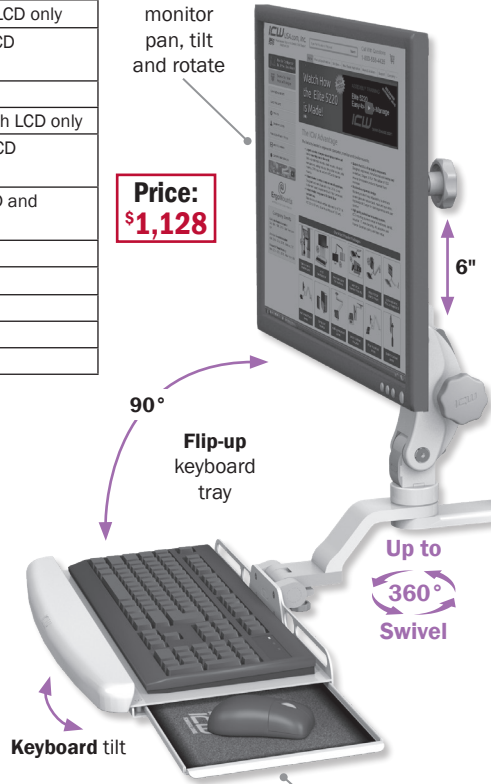
**Service Tray Size:** 16.25" x 5.625" (41.3 cm x 14.3 cm)

**Tray swivel:** 180°

**Stows:** Completely under monitor

ELP5220-WT-KUB  
SRVCTRY

**Price:**  
**\$1,253**



**Keyboard Options**

See pages 52-53 for details.

**TRUE SIT-STAND workstation with 42" of vertical movement**

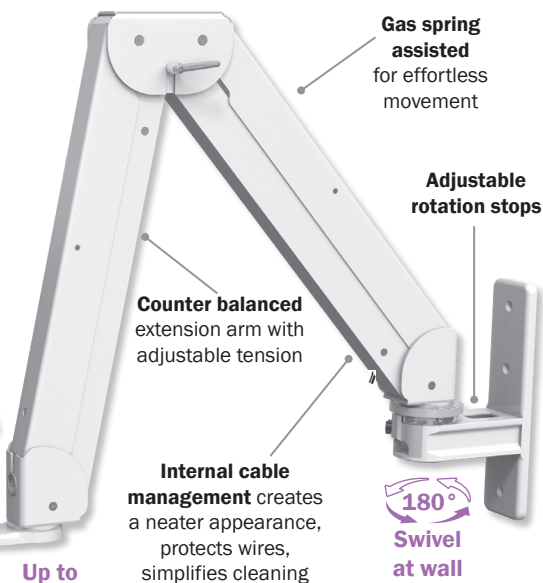
**Elite 5220  
Laptop Mount  
EL5220LTU-WT**

**Price:**  
**\$865**



**Elite 5220  
Monitor Mount  
ELQ5280-WT**

**Price:**  
**\$943**



**Mounting Options**

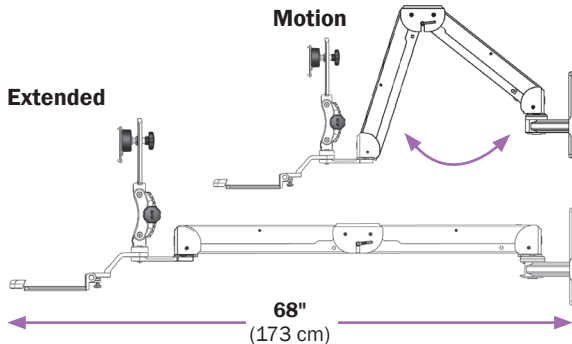
- Pole mounts, pages 48-49
- Wall track, page 21

**Range of Motion Video**

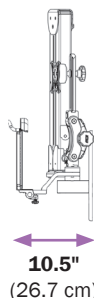


**180°  
Swivel  
at wall**

**Up to  
270°  
Swivel**



**Stowed**



**Standard Color Options**

Medical  
White  
(MW)

Black  
(WB)

Quartz  
Gray  
(QG)

7 custom colors available upon request. See the inside cover.

T2EP-WT2-KUP

# Titan Elite Wall Mount

Unparalleled reach, compact when stowed and frees up lower wall real estate

The Titan Elite enables a monitor and keyboard to extend up to 54.25" (137.8 cm) when needed, then stows the entire workstation just 10.5" (26.7 cm) from the wall. This arm is ideal for tight spaces in today's healthcare environments.

SPECIFICATIONS	
<b>Load Capacity</b>	30 lbs (13.6 kg) with LCD only
	22 lbs (10 kg) with LCD and Keyboard
<b>Vert. Adjust. Range</b>	21" (53.3 cm)
<b>Maximum Reach</b>	54.25" (137.8 cm)
<b>Stowed Depth</b>	10.5" (26.7 cm)
<b>Arm Swivel at Mount</b>	360°
<b>Screen Swivel</b>	270°
<b>Screen Tilt</b>	50°
<b>VESA Interface</b>	75 mm and 100 mm

Monitor, keyboard and mouse not included.

5" (12.7 cm) parallel forward monitor adjustment  
6" (15.2 cm) vertical monitor adjustment

**Price as Shown:**  
**\$1,095**

### Keyboard Options

See page 52-53 for details.

Range of Motion Video



Wrist rest included

Keyboard tilt

Accommodates most keyboards and monitors

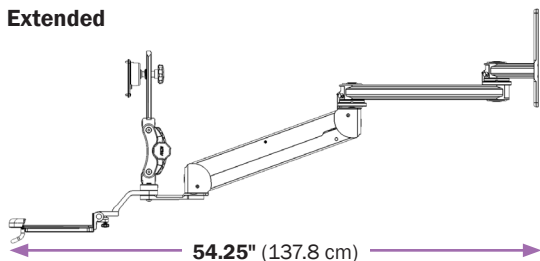
6-way monitor pan, tilt and rotate

90° Flip-up keyboard tray

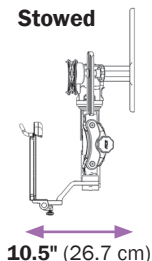
Up to 360° Swivel

Mouse tray slides out on both right and left sides

**Extended**



**Stowed**



**TRUE SIT-STAND workstation with 21" of vertical movement**

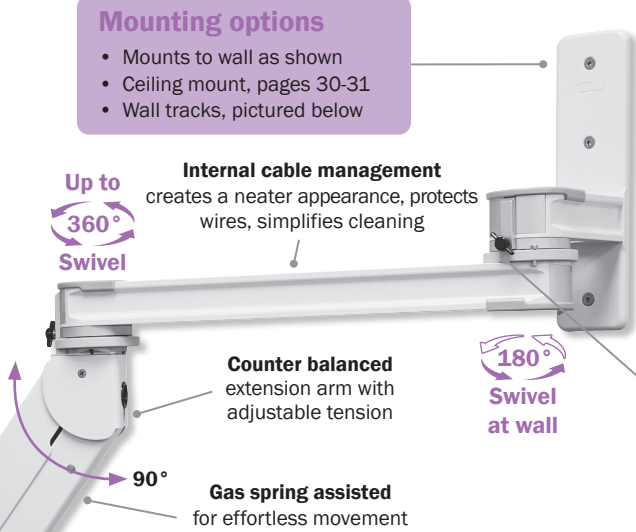
**Mounting options**

- Mounts to wall as shown
- Ceiling mount, pages 30-31
- Wall tracks, pictured below



**Titan Elite  
Wall Mount  
for a Monitor  
T2EQ-WT2**

**Price as  
Shown:  
\$958**



**Adjustable rotation stops** protect your equipment and facility

**Wall Tracks**

**For MD, Elite and Titan Series Mounts**

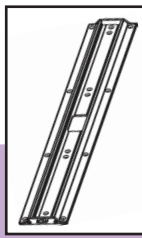
With the MD wall tracks, the load of all your wall mounted workstation components can be distributed along the length of the track. Most ICW wall mounts can connect to the MD track. Tracks include wire management covers, mounting hardware and track end caps.



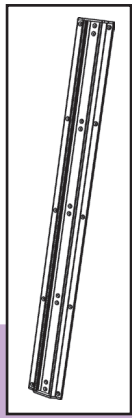
**TMD19**  
Wall track 19"  
**\$70**



**TMD26**  
Wall track 26"  
**\$85**



**TMD36**  
Wall track 36"  
**\$109**



**TMD50**  
Wall track 50"  
**\$129**

**Track Adapter Cross Reference**

Product	Track Style & Adapter Part Number		
	Ultra	Horizontal MD	Vertical MD
Ultra arm on W2			TAW2KIT
Ultra arm on W3			TAW3KIT
T2 & Elite arms			TAMDT2KIT
Frame CPU mount	TAICWCPUKIT	TAHZMTKIT	TACPUKIT
Clamp CPU mount	TAICWCPUKIT		TAEZMTKIT

Track adapter kits are available to fit most tracks from other major suppliers.

ELP5120-WT-KUB

# Single Elite 5120 Wall Mount

Enjoy effortless movement and optimum viewing angle

The single arm Elite with Paralink Swivel enables a monitor and keyboard to be suspended from the wall and pulled out effortlessly when needed. The arm adjusts vertically, horizontally and rotates 180° so you can position it exactly where you want it.

SPECIFICATIONS	
<b>Load Capacity</b>	30 lbs (13.6 kg) with LCD only
	22 lbs (10 kg) with LCD and Keyboard
<b>Vert. Adjust. Range</b>	21" (53.3 cm)
<b>Maximum Reach</b>	33.6" (85.3 cm) with LCD only
	43.75" (111.1 cm) with LCD and Keyboard
<b>Stowed Depth</b>	10.5" (26.7 cm)
<b>Arm Swivel at Mount</b>	360°
<b>Screen Swivel</b>	360°
<b>Screen Tilt</b>	180°
<b>VESA Interface</b>	75 mm and 100 mm

Monitor, keyboard and mouse not included.

**Price:**  
**\$872**

**Keyboard Options**  
See page 52-53 for details.

**Accommodates** all keyboards and monitors

**Mouse tray** slides out on both right and left sides

Wrist rest included

Keyboard tilt

90°  
Flip-up keyboard tray

6-way monitor pan, tilt and rotate

5" (12.7 cm) parallel forward monitor adjustment

6" (15.2 cm) vertical monitor adjustment

Up to 360° Swivel  
Up to 360° Swivel

**Ceiling Mount ELQ5120-C8X12**  
also available.  
See pages 32-33

**Price:**  
**\$733**



**TRUE SIT-STAND workstation with 21" of vertical movement**



**Price:**  
**\$714**



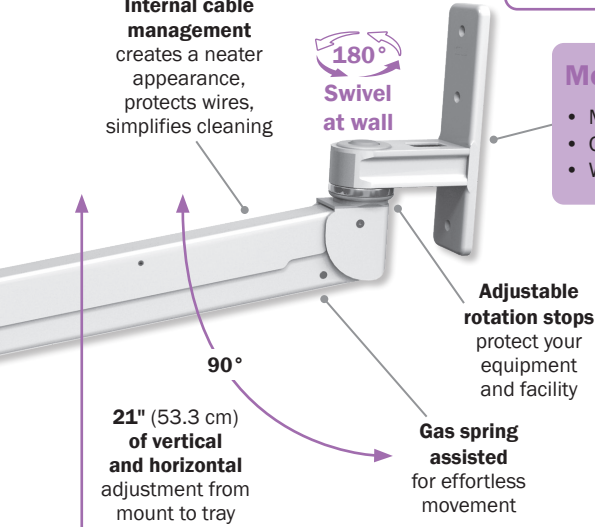
**Price:**  
**\$709**

**Internal cable management** creates a neater appearance, protects wires, simplifies cleaning

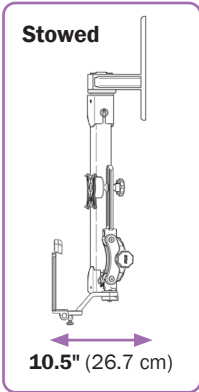
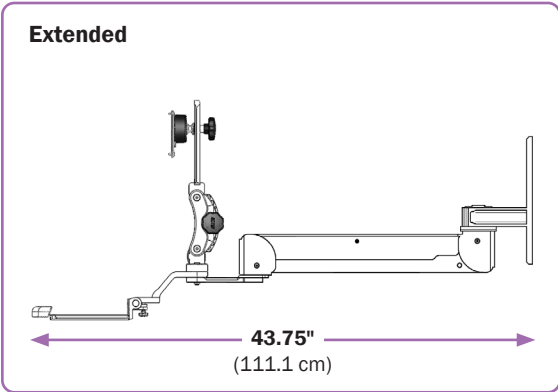


**Mounting Options**

- Mounts to wall as shown
- Ceiling mount, pages 32-33
- Wall tracks, page 21



**Range of Motion Video**



**Standard Color Options**

- Medical White (MW)
- Black (WB)
- Quartz Gray (QG)

7 custom colors available upon request. See the inside cover.

UL550-W3-KUB-A2

# Ultra 550 Wall Mount

## Ultimate flexibility with Paralink

The Ultra 550 arm with Paralink interface lets you easily adjust both monitor and keyboard to the most ergonomic and comfortable position. This arm reaches up to 37.5" (95.3 cm) and stows compactly just 9.75" (24.8 cm) from the wall.

**DESK MOUNT ALSO AVAILABLE. SEE PAGE 46.**

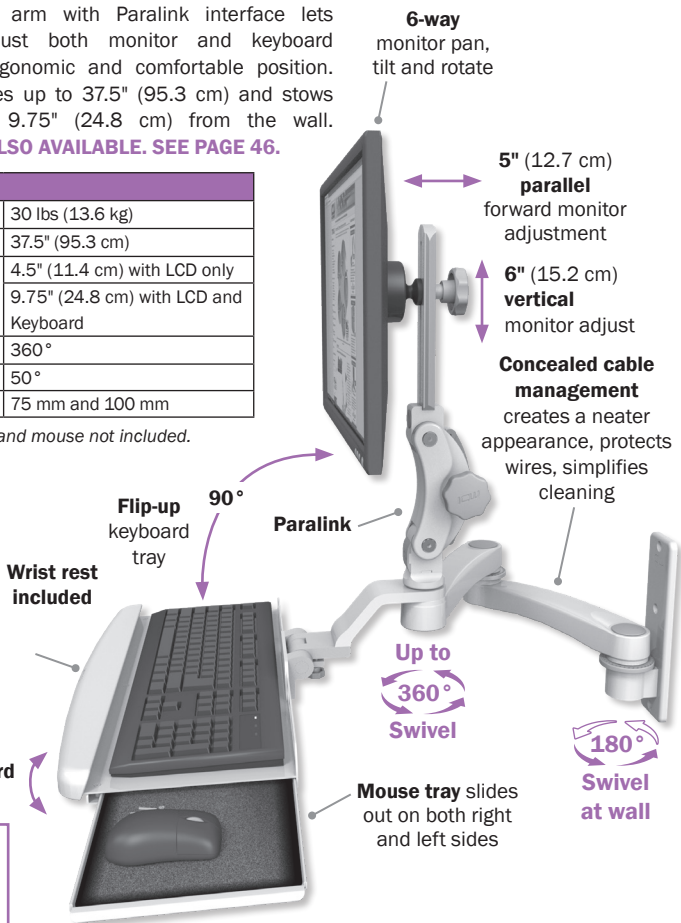
SPECIFICATIONS	
<b>Load Capacity</b>	30 lbs (13.6 kg)
<b>Maximum Reach</b>	37.5" (95.3 cm)
<b>Stowed Depth</b>	4.5" (11.4 cm) with LCD only 9.75" (24.8 cm) with LCD and Keyboard
<b>Arm Swivel</b>	360°
<b>Screen Tilt</b>	50°
<b>VESA Interface</b>	75 mm and 100 mm

Monitor, keyboard and mouse not included.

**Price:**  
**\$685**



Track, pole and desk mount options available



**Keyboard Options**  
See page 52-53 for details.

**Arm Extension Options**  
Ultra arms can be ordered as one or two 11" extensions.

**Mount Options**

- W3** MD Wall mount 9.5"
- T19** Ultra Wall track 19"
- T36** Ultra Wall track 36"
- T50** Ultra Wall track 50"

UL510-W3-KUB-A2

# Ultra 510 Wall Mount

Move components together —  
adjust them separately

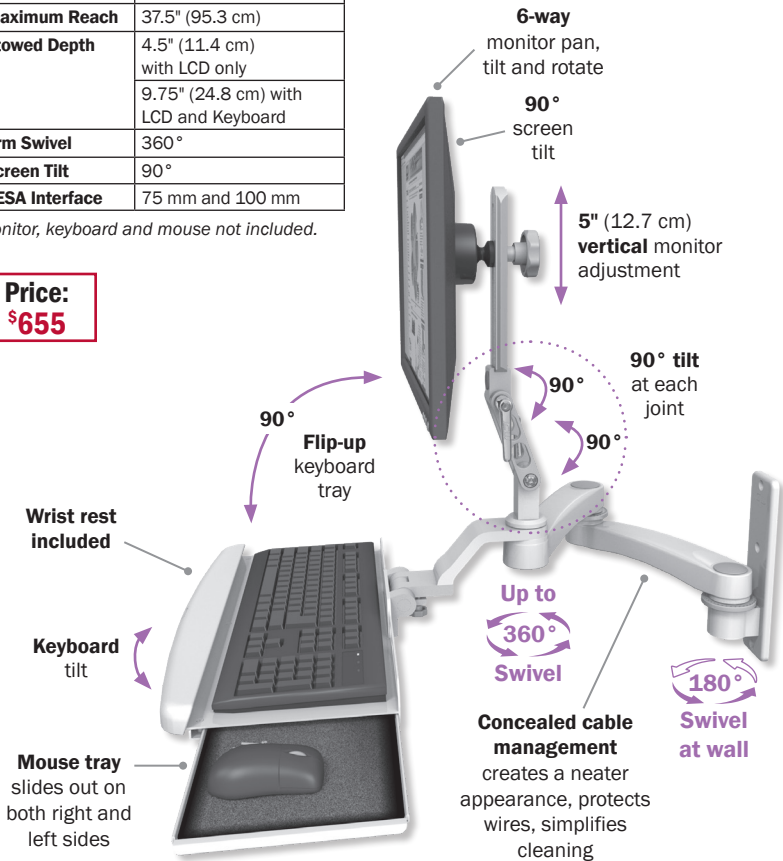
Widely used in medical and dental environments, the Ultra 510 arm allows full articulation of the monitor and keyboard. It has two articulating joints that together provide 90° of tilt adjustment with safety stops, and has two handles that lock positions. This system can be mounted with two articulating extension arms, allowing for up to 37.5" (95.3 cm) of reach with a keyboard tray. **DESK MOUNT ALSO AVAILABLE. SEE PAGE 47.**

Mount, keyboard, and arm extension options are the same as the Ultra 550 on previous page.

SPECIFICATIONS	
Load Capacity	18 lbs (8.2 kg)
Maximum Reach	37.5" (95.3 cm)
Stowed Depth	4.5" (11.4 cm) with LCD only 9.75" (24.8 cm) with LCD and Keyboard
Arm Swivel	360°
Screen Tilt	90°
VESA Interface	75 mm and 100 mm

Monitor, keyboard and mouse not included.

Price:  
**\$655**



## Standard Color Options

Medical White (MW)

Black (WB)

Quartz Gray (QG)

7 custom colors available upon request. See the inside cover.

T2P2020-WT2-KPB

# Titan Arm Wall Mount

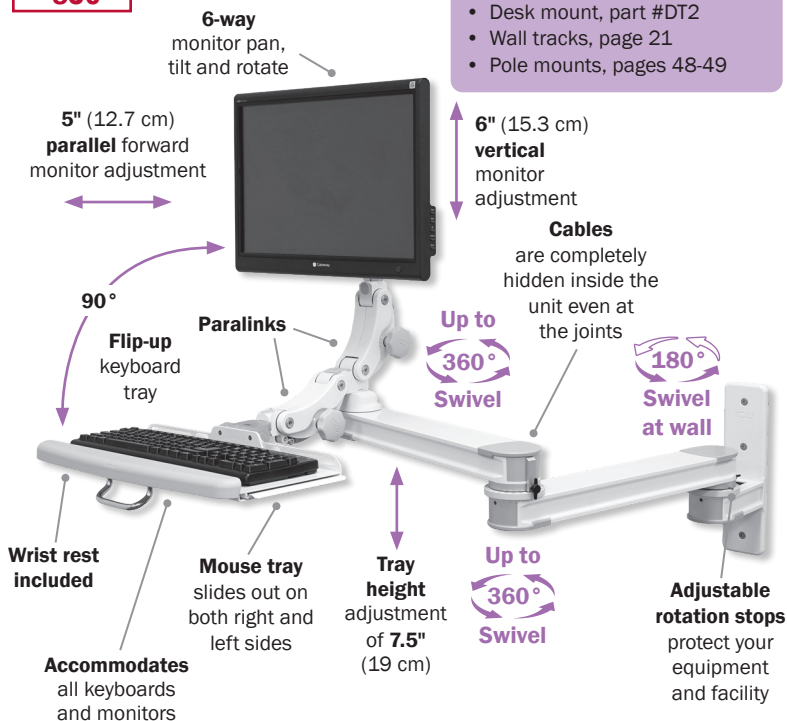
Components move together and adjust separately

The Titan with Paralink is the premier rigid mount, providing smooth horizontal articulation and long reach. With full internal cable management from the wall to the monitor and keyboard, this arm moves effortlessly. Available with desk, wall, wall track and pole mount options.

**Price:**  
**\$830**

**Mounting Options**

- Desk mount, part #DT2
- Wall tracks, page 21
- Pole mounts, pages 48-49



SPECIFICATIONS	
<b>Load Capacity</b>	30 lbs (13.6 kg)
<b>Keyboard Tray Size</b>	19" x 10" (48.3 cm x 25.4 cm)
<b>Maximum Reach</b>	63" (160 cm) with Keyboard
<b>Stowed Depth</b>	11.8" (30 cm)
<b>Screen Swivel</b>	360°
<b>Screen Tilt</b>	50°
<b>VESA Interface</b>	75 mm and 100 mm

Monitor and keyboard not included.

**STOWED**



**10.5"** (26.7 cm)

Range of Motion Video



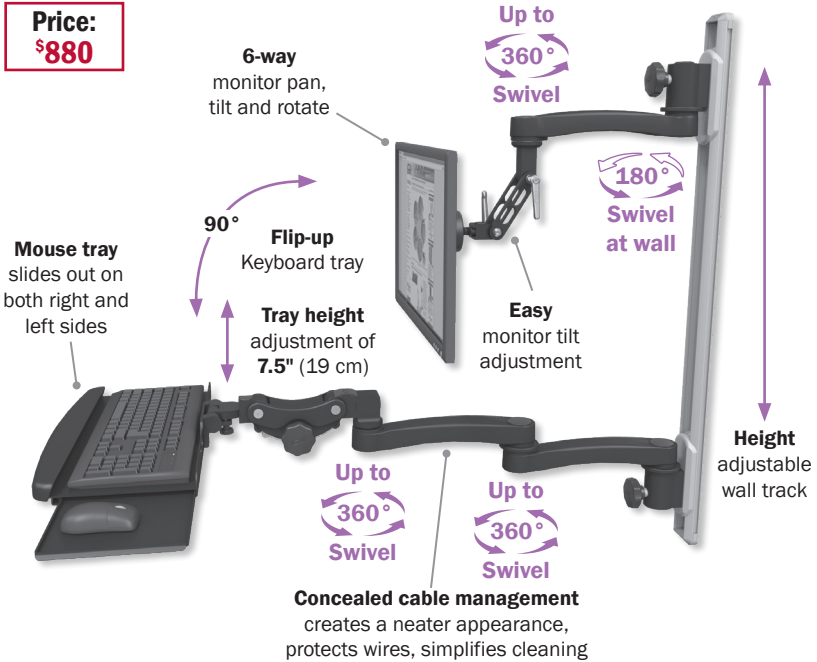
UL500i-T36D-KPB-A3

# Ultra 500i Wall Track Workstation

**Inverted monitor workstation easily fits into small spaces**

The Ultra 500i Workstation is an ideal choice for healthcare environments where space is at a premium. The ultra-maneuverable LCD and keyboard mounting system fits on a slim wall track, reaches up to 42" (106.7 cm) with two arms and folds to a compact 5.5" (14 cm) against the wall. Available in many configurations. Contact your customer service representative for configuration options not shown on this page.

**Price:**  
**\$880**



SPECIFICATIONS	
<b>Load Capacity</b>	18 lbs (8.2 kg) with LCD only
	28 lbs (12.7 kg) with LCD and Keyboard
<b>Maximum Reach</b>	42" (106.7 cm)
<b>Stowed Depth</b>	5.5" (14 cm)
<b>Arm Swivel</b>	180° at mount
	360° at first and second joints
<b>Screen Tilt</b>	180°
<b>VESA Interface</b>	75 mm and 100 mm

Monitor, keyboard and mouse not included.

Range of Motion Video



### Keyboard Options

See page 52-53.

### Track Options

**T19**

Wall track 19"

**T36**

Wall track 36"

### Standard Color Options

Medical White (MW)

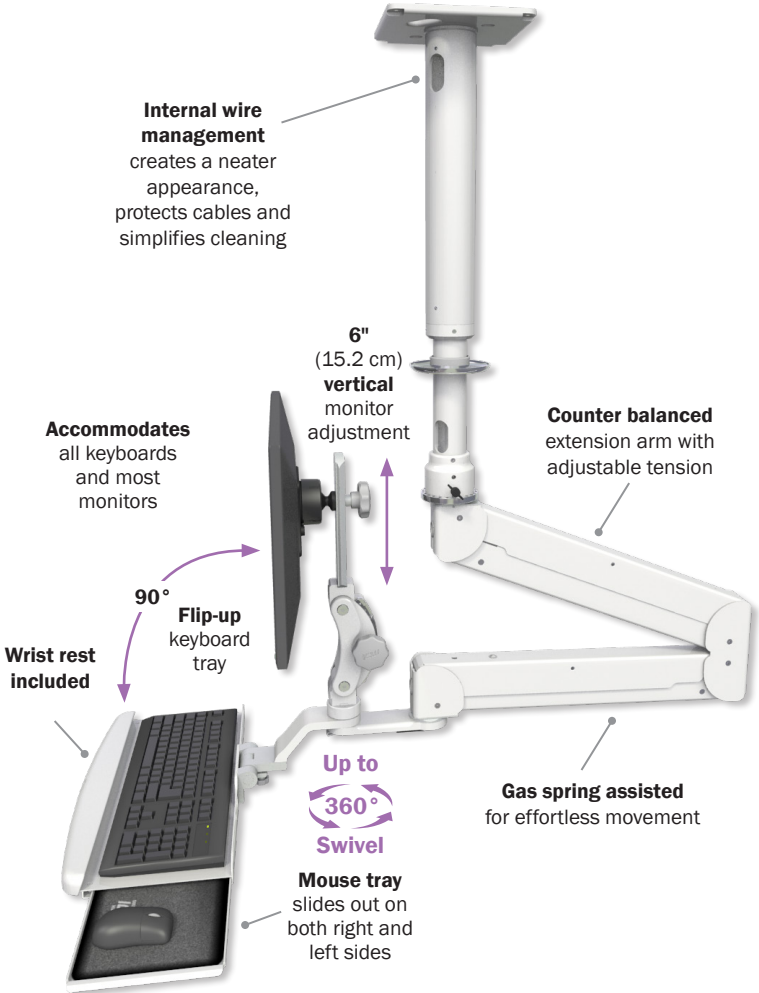
Black (WB)

Quartz Gray (QG)

7 custom colors available upon request. See the inside cover.

ELP6220-XT24-KUB

# Elite 6220 Ceiling Mount



SPECIFICATIONS	
<b>Load Capacity</b>	30 lbs (13.6 kg) with LCD only
	22 lbs (10 kg) with LCD and Keyboard
<b>Vertical Movement</b>	38" (96.5 cm)
<b>Diameter of Motion</b>	68" (172.7 cm)
<b>Arm Swivel</b>	180° at mount (stop pins provided)
<b>Tray Tilt</b>	6° up (positive) / 11° down (negative)
<b>Tray Swivel</b>	240°
<b>Adjustable Drop</b>	<b>XT24:</b> 26" to 37" (66 cm to 94 cm)
<b>Pole Options</b>	<b>XT12:</b> 19" to 26" (48.3 cm to 66 cm)

Range of Motion Video



**Price:**  
**\$1,595**

Monitor, keyboard and mouse not included.

For more options visit our website or call your customer service representative

Ideal for ceiling mount that requires a keyboard.

- **ONE-OF-A-KIND DESIGN** with sleek and sturdy construction. Engineered for years of reliable service.
- **MOUNT** stows conveniently overhead and rests 12" (30.5 cm) from the base of the drop pole.
- **FULLY CONCEALED** internal cable management protects cabling.
- **REMOVABLE STOP PIN** prevents mount from turning 360° and twisting cables internally.
- **ADJUSTABLE DROP POLE** has two retracting options – 19" to 26" (48.3 cm to 66 cm) and 26" to 37" (66 cm to 94 cm).
- **STOWS SAFELY** out of the way, overhead above the user at 6'6".

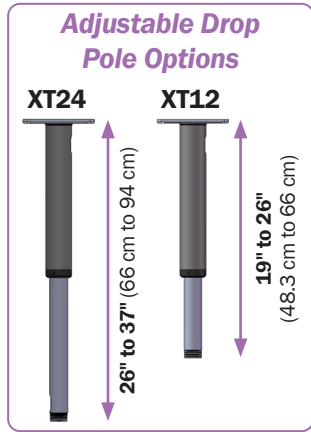
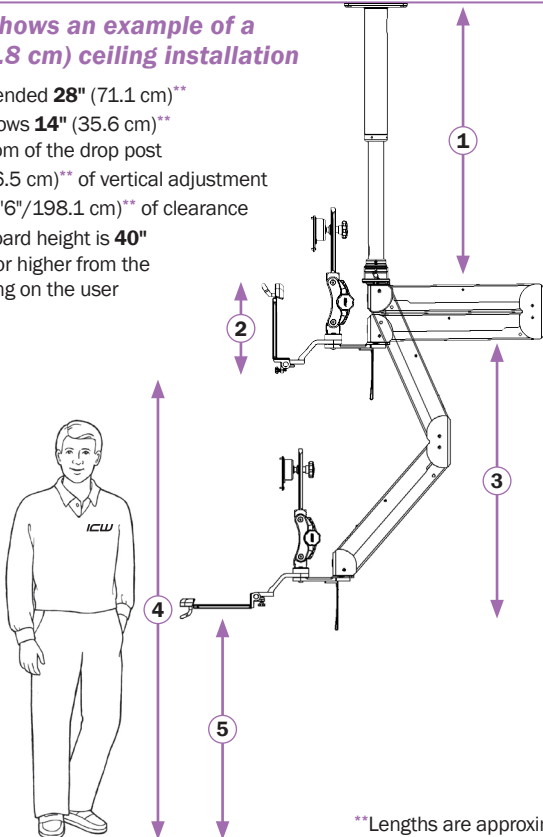


Illustration shows an example of a 10-foot (304.8 cm) ceiling installation

1. Drop pole extended **28"** (71.1 cm)\*\*
2. Completely stows **14"** (35.6 cm)\*\* from the bottom of the drop post
3. Offers **38"** (96.5 cm)\*\* of vertical adjustment
4. Leaves **78"** (6'6"/198.1 cm)\*\* of clearance
5. Optimal keyboard height is **40"** (101.6 cm)\*\* or higher from the floor depending on the user



\*\*Lengths are approximate

Standard Color Options

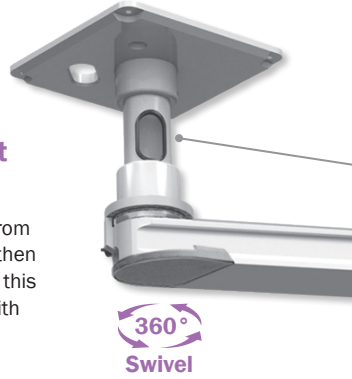
Medical White (MW)	Black (WB)	Quartz Gray (QG)	7 custom colors available upon request. See the inside cover.

T2EQ-C8X5

# Titan Elite Ceiling Mount

Ideal for operatories, this monitor mount provides effortless positioning

The Titan Elite allows a monitor to be securely mounted from the ceiling or headwall shelf, pulled down when needed, then stowed up and out of the way. With multiple pivot points, this arm enables vertical and horizontal adjustments along with 360° of rotation.



SPECIFICATIONS	
Load Capacity	28 lbs (12.7 kg)
Lift Distance	21" (53.3 cm)
Maximum Reach	42" (106.7 cm)
Arm Swivel at Mount	360°
Screen Swivel	360°
Screen Tilt	50°
VESA Interface	75 mm and 100 mm
Extension Pipe	5" included

Monitor not included.

**EASY TO WIRE**  
Does not require disassembly. Wires run through the joints.

**Price:**  
**\$978**



Screen tilt at ball joint

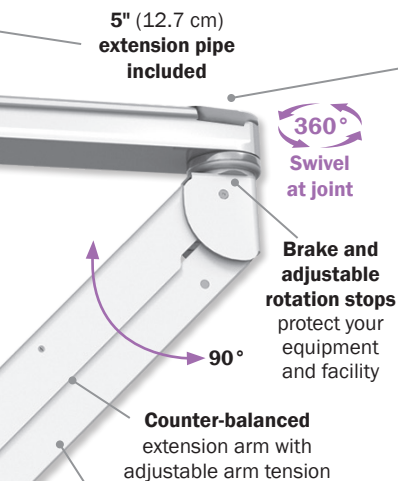
50°



Under-monitor handle adjusts arm with ease, protects monitor from fingerprints

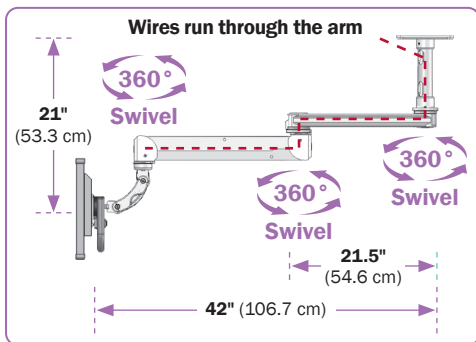






### Titan Arm Option

The Titan section of this arm can be ordered in a 12" length to fit smaller spaces. The 20" length is shown here.



Internal wire management creates a neater appearance, protects cables and simplifies cleaning



Range of Motion Video



### Ceiling Mount Extension Pipe Options available in four lengths



Contact your ICW representative for final pricing.

#### Titan Elite Ceiling Mount (T2EQ-C8X5)

XE5	XE12	XE24	XE36
Included in base price	Add \$29	Add \$40	Add \$70

**ICWUSA.com, Inc. COVID-19 MESSAGE:** Despite concerns stemming from the pandemic, all of our outbound orders are shipped on time to meet our customers' needs. Why? Because we are a "Made and Manufactured in the USA" company.



#### Standard Color Options

Medical White (MW)

Black (WB)

Quartz Gray (QG)

7 custom colors available upon request. See the inside cover.

ELQ5120-C8X5

# Single Elite 5120 Ceiling Mount

Ideal for monitor viewing, this monitor mount can be positioned with one hand

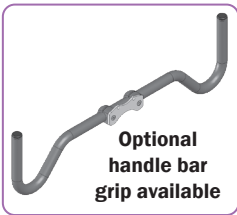
The Single Elite was designed to move with a feather-light touch. It features 90° of tilt at each joint with the Quicklink push button adjustment plus 50° monitor tilt and pivot at its compact ball joint.

SPECIFICATIONS	
Load Capacity	28 lbs (12.7 kg)
Lift Distance	21" (53.3 cm)
Maximum Reach	27" (68.6 cm)
Arm Swivel at Mount	360°
Screen Swivel	360°
Screen Tilt	50°
VESA Interface	75 mm and 100 mm

Monitor not included.

**Price:**  
**\$704**

Screen tilt at ball joint

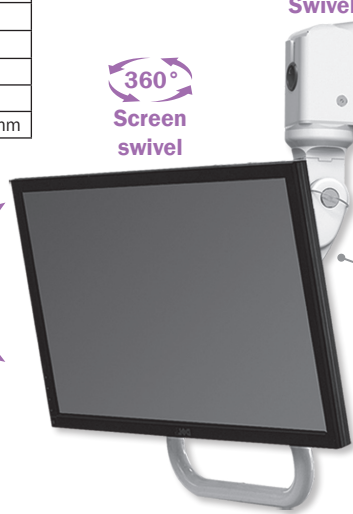


Counter balanced lift arm with adjustable tension

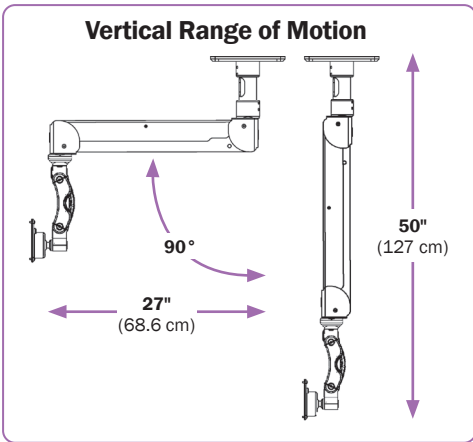
360° Swivel

360° Screen swivel

90°

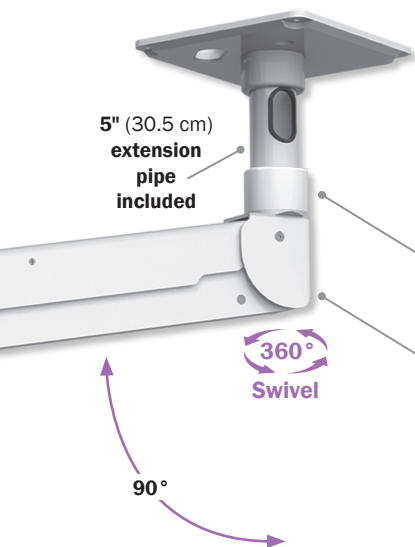


Compact ball joint provides monitor tilt and pivot



**EASY TO WIRE**  
Does not require disassembly. Wires run through the joints.

For more options visit our website or call your customer service representative



5" (30.5 cm)  
extension  
pipe  
included

360°  
Swivel

90°

**Quicklink**  
push button  
tilt adjustment  
provides 90°  
of tilt at  
two joints

**Adjustable  
rotation stops**  
protect your  
equipment  
and facility

**Internal wire  
management**  
creates a neater  
appearance,  
protects cables,  
simplifies cleaning




**Price:**  
\$872

**Wall Mount**  
also available.  
See pages 22-23.

Range  
of Motion  
Video



**Ceiling Mount Extension Pipe Options**  
available in four lengths

			
<b>XE5</b> 5" (12.7 cm)	<b>XE12</b> 12" (30.5 cm)	<b>XE24</b> 24" (61 cm)	<b>XE36</b> 36" (91.4 cm)

Contact your ICW representative for final pricing.

Single Elite 5120 Ceiling Mount (ELQ5120-C8X12)			
XE5	XE12	XE24	XE36
Included in base price	Add \$29	Add \$40	Add \$70

**Standard Color Options**

Medical  
White  
(MW)

Black  
(WB)

Quartz  
Gray  
(QG)

7 custom colors available upon request. See the inside cover.

UL95-CU

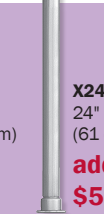
# Ultra 95 Ceiling Mount

Position your monitor to exactly the height you need

The Ultra 95 mounts securely from the ceiling with a telescoping pipe, making it an excellent choice for healthcare environments.

**Price:**  
**\$270**


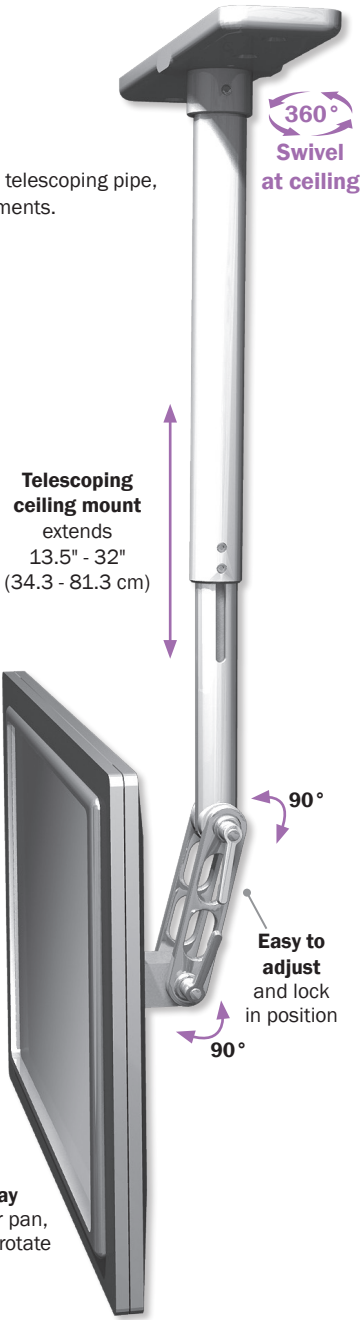
**Extension Pipes**  
available in two lengths

	<b>X12</b> 12" (30.5 cm)		<b>X24</b> 24" (61 cm)
	<b>add \$39</b>		<b>add \$59</b>

SPECIFICATIONS	
<b>Load Capacity</b>	18 lbs (8.2 kg)
<b>Lift Distance</b>	18.5" (47 cm)
<b>Screen Swivel at Ceiling</b>	360°
<b>Screen Tilt</b>	180°
<b>VESA Interface</b>	75 mm and 100 mm

Monitor not included.

**Ultra Secure**  
The Ultra 95 ceiling mount is secured to a stud in the ceiling using four countersunk wood screws that are provided with the unit.

UL500i-C8X12

# Ultra 500i Ceiling Mount

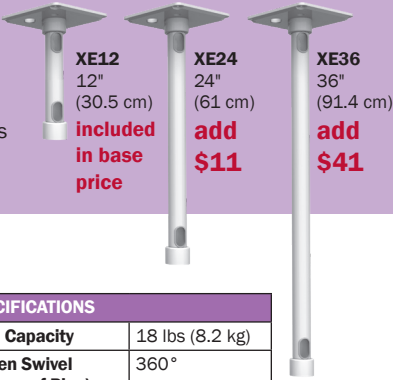
Offering a wide range of tilt and pivot options

The Ultra 500i mounts from the ceiling on an extension pipe made of true 2" o.d. structural tubing for side load support. Choose the length that best meets your needs.

**Price:**  
**\$299**

Ceiling Mounts

Extension Pipes available in three lengths



**XE12**

12" (30.5 cm)

**included in base price**

**XE24**

24" (61 cm)

**add \$11**

**XE36**

36" (91.4 cm)

**add \$41**

SPECIFICATIONS	
Load Capacity	18 lbs (8.2 kg)
Screen Swivel (Bottom of Pipe)	360°
Screen Tilt	180° (forward or down)
VESA Interface	75 mm and 100 mm

Monitor not included.

180° screen tilt

360° Swivel at ceiling

Cable management through pipe

90°

Easy to adjust and lock in position

90°

6-way monitor pan, tilt and rotate

Mounting plate C8X 8" x 8" plate



BUILD YOUR OWN MOUNTING SOLUTION WITH OUR CONFIGURATOR

VISIT [WWW.ICWUSA.COM](http://WWW.ICWUSA.COM), CLICK THE CONFIGURATOR ICON AND DISCOVER THE ICW ADVANTAGE

**ICWUSA**.com

Standard Color Options

Medical White (MW)

Black (WB)

Quartz Gray (QG)

7 custom colors available upon request. See the inside cover.

UL182I-PS28-XU25

**NEW! Pro Slide Overcabinet Monitor Mount****Convenient and Durable Overcabinet Monitor Mount**

The Pro Slide Overcabinet Monitor Mount features an articulating Ultra 182 arm connected to a drop pole with an easy-to-use handle below the monitor.



- **UNIVERSAL TRACK\*** can mount above any cabinet. Competitor's mounts will only fit on their own proprietary cabinets.
- **WILL NOT DAMAGE CABINET** with vertical movement as mount includes adjustable stop.
- **MOUNT SLIDES** 22" (55.9 cm) along standard 28.4" (72.1 cm) track which can be customized to extended or reduced lengths.
- **EASY ONE-FINGER MOVEMENT** vertically and horizontally without noisy chatter when the mount slides across the track.
- **VERTICAL LIFT** is 15" (38.1 cm).
- **DOES NOT REQUIRE A COMPRESSOR** to operate.
- **CYCLE-TESTED FOR 80,000 SLIDES** with no damage or noticeable wear.
- **WEIGHT-TESTED ON STANDARD CABINET MATERIAL AND FASTENERS FOR 166 lbs. (75 kg)** with no damage to the mount or cabinet.
- **CABLING IS DISCREETLY HIDDEN** in the slide track and internally through the mount.

SPECIFICATIONS	
Load Capacity	0-28 lbs (0-12.7 kg)
Vertical Lift	24" (61 cm)
Usable Vertical Lift	15" (38.1 cm)
Track Length	28.4" (72.1 cm)*
Usable Track Slide Length	22" (55.9 cm)
Swivel at Track	360***

**Price:**  
**\$1,565**

\*Custom tracks can be cut to length by request.

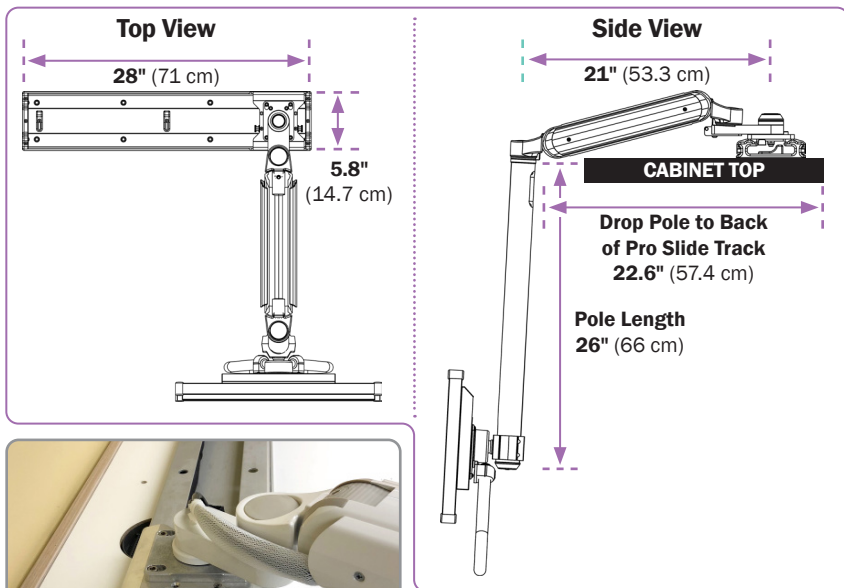
\*\*Swivel limited to 1800 when cabinet is against wall.

Cabinet, monitor, keyboard and mouse not included.

Range  
of Motion  
Video



For more options visit our website or call your customer service representative



### Pro Slide Track

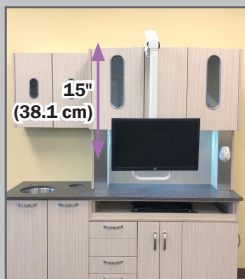
The Pro Slide's track provides smooth, effortless movement for the user while eliminating potential chatter and offers a unique professional wire management system that is both aesthetic and protects cables from damage.

## Pro Slide Overcabinet Monitor Mount Range of Movement

The Pro Slide track allows the mount to glide across the top of the cabinet to either side and conveniently stows out of the way when not in use.



Rotates 360° at track and 180° when against wall.



Features 15" (38.1 cm) of usable vertical movement.



Mount slides 22" (55.9 cm) along track. Custom track sizes available.

### Standard Color Options

Medical White (MW)

Black (WB)

Quartz Gray (QG)

7 custom colors available upon request. See the inside cover.

UL182I-PS28-KB16-XU25

## NEW! Pro Slide Overcabinet Workstation with Keyboard Tray

### Convenient and Durable Overcabinet Computer Workstation

The Pro Slide Overcabinet Workstation with Keyboard Tray features an articulating Ultra 182 arm connected to a drop pole and abbreviated keyboard.

The Pro Slide (PS) series replaces our popular TS series.

The PS series is stronger, more customizable, more robust and offers enhanced cable management.

*Fits on most cabinet tops*



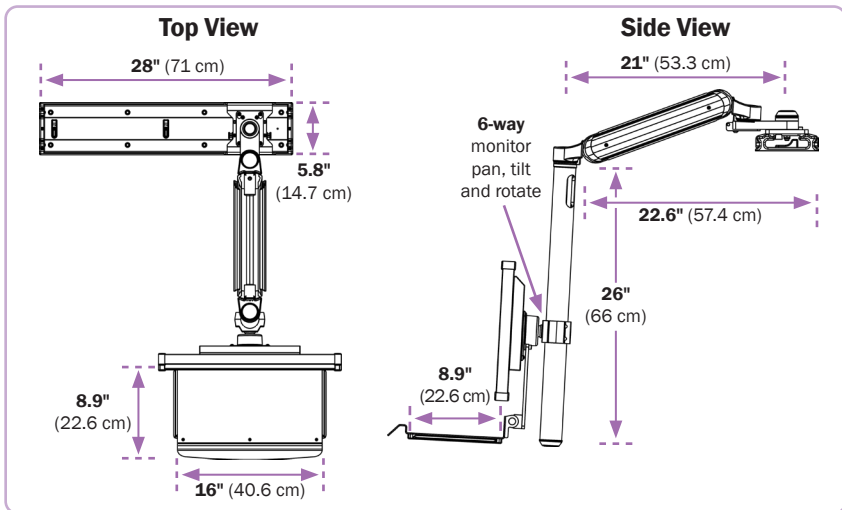
- **UNIVERSAL TRACK\*** can mount above any cabinet. Competitor's mounts will only fit on their own proprietary cabinets.
- **WILL NOT DAMAGE CABINET** with vertical movement as mount includes adjustable stop.
- **MOUNT SLIDES 22"** (55.9 cm) along standard 28.4" (72.1 cm) track which can be customized to extended or reduced lengths.
- **VERTICAL LIFT** is 15" (38.1 cm).
- **HORIZONTAL REACH** is 65" (165.1 cm) along a standard track.
- **DOES NOT REQUIRE A COMPRESSOR** in order to operate.
- **5-YEAR WARRANTY**
- **EASY ONE-FINGER MOVEMENT** vertically and horizontally without noisy chatter when the mount slides across the track.
- **CYCLE-TESTED FOR 80,000 SLIDES** without issues or noticeable wear.
- **WEIGHT-TESTED ON STANDARD CABINET MATERIAL AND FASTENERS FOR 166 lbs. (75 kg)** with no damage to the mount or cabinet.
- **CABLING IS DISCREETLY HIDDEN AND PROTECTED** in the slide track and internally through the mount, giving longer life to your mount and devices.
- **KEYBOARD TRAY** is 16" (40.6 cm) wide and 8.9" (22.6 cm) offers adjustable tilt.

Range  
of Motion  
Video



For more options visit our website or call your customer service representative





SPECIFICATIONS	
<b>Load Capacity</b>	0-28 lbs (0-12.7 kg)
<b>Vertical Lift</b>	24" (61 cm)
<b>Usable Vertical Lift</b>	15" (38.1 cm)
<b>Horizontal Reach</b>	68" (172.7 cm)
<b>Track Length</b>	28.4" (72.1 cm)*
<b>Usable Track Slide Length</b>	22" (55.9 cm)
<b>Swivel at Track</b>	360°**

Cabinet, monitor, keyboard and mouse not included.

**Price:**  
\$1,745

\*Custom tracks can be cut to length by request.  
\*\*Swivel limited to 180° when cabinet is against wall.

**NEW! KB16 Tray for Compact Keyboards**  
Shown on Pro Slide Overcabinet Workstation.  
See page 53 for details.

### Pro Slide Overcabinet Monitor Mount Range of Movement

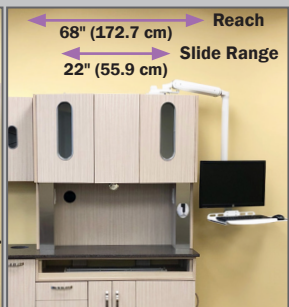
The Pro Slide track allows the mount to glide across the top of the cabinet to either side and conveniently stows out of the way when not in use.



Rotates 360° at track and 180° when against wall.



Features 15" (38.1 cm) of vertical movement.



Mount slides 22" (55.9 cm) along track and reaches 68" (172.7 cm).

UL182I-EV7-PS28-D0-KUB

## NEW! Pro Slide Undercabinet Workstation

### Convenient and Durable Undercabinet Monitor Mount

The Pro Slide Undercabinet Workstation with Keyboard Tray features an articulating Ultra 182 arm connected to our standard KUB keyboard tray.



**Price:**  
**\$1,075**

*Cabinet, monitor, keyboard and mouse not included.*

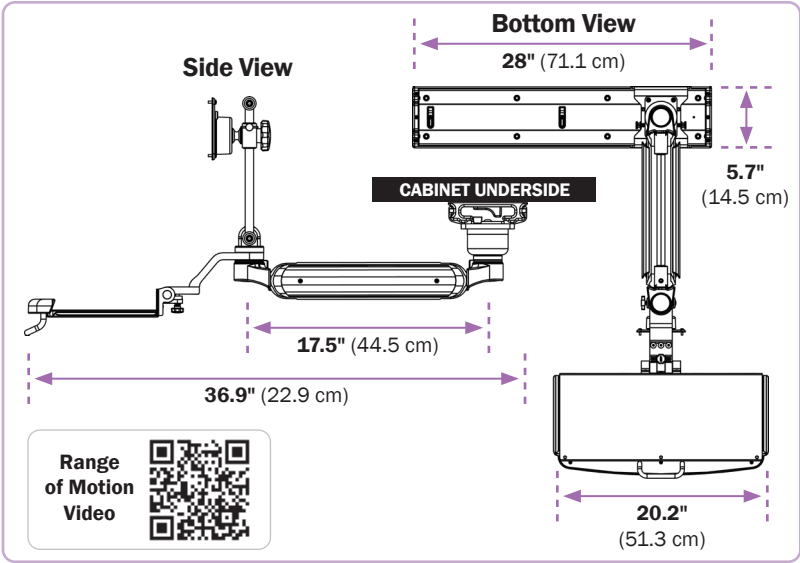
- **UNIVERSAL TRACK\*** can mount to underside of any cabinet. Competitor's mounts will only fit on their own proprietary cabinets.
- **WILL NOT DAMAGE CABINET** with vertical movement as mount includes adjustable stop.
- **MOUNT SLIDES** 21.6" (54.9 cm) along standard 28" (71.1 cm) track which can be customized to extended or reduced lengths.
- **VERTICAL LIFT** is 24" (61 cm).
- **HORIZONTAL REACH** is 68" (172.7 cm) along a standard track.
- **DOES NOT REQUIRE A COMPRESSOR** in order to operate.
- **5-YEAR WARRANTY**
- **EASY ONE-FINGER MOVEMENT** vertically and horizontally without noisy chatter when the mount slides across the track.
- **CYCLE-TESTED FOR 80,000 SLIDES** without issues or noticeable wear.
- **WEIGHT-TESTED ON STANDARD CABINET MATERIAL AND FASTENERS FOR 166 lbs. (75 kg)** with no damage to the mount or cabinet.
- **CABLING IS DISCREETLY HIDDEN AND PROTECTED** in the slide track and internally through the mount, giving longer life to your mount and devices
- **KEYBOARD TRAY** is 20.2" (51.3 cm) wide and 8.9" (22.6 cm) offers adjustable tilt.

SPECIFICATIONS	
<b>Load Capacity</b>	0-28 lbs (0-12.7 kg)
<b>Vertical Lift</b>	24" (61 cm)**
<b>Usable Vertical Lift</b>	15" (38.1 cm)**
<b>Horizontal Reach</b>	68" (172.7 cm)
<b>Track Length</b>	28" (71.1 cm)*
<b>Usable Track Slide Length</b>	21.6" (54.9 cm)
<b>Swivel at Track</b>	360°***

\*Custom tracks can be cut to length by request.

\*\*Vertical and horizontal travel can be effected by cabinet's dimensions.

\*\*\*Swivel limited to 180° when cabinet is against wall.



Pro Slide Undercabinet Workstation fits like a glove beneath the cabinet.



The Pro Slide's track provides smooth, effortless movement for the user while eliminating potential chatter and offers a unique professional wire management system that is both aesthetic and protects cables from damage.

### Pro Slide Undercabinet Monitor Mount Range of Movement



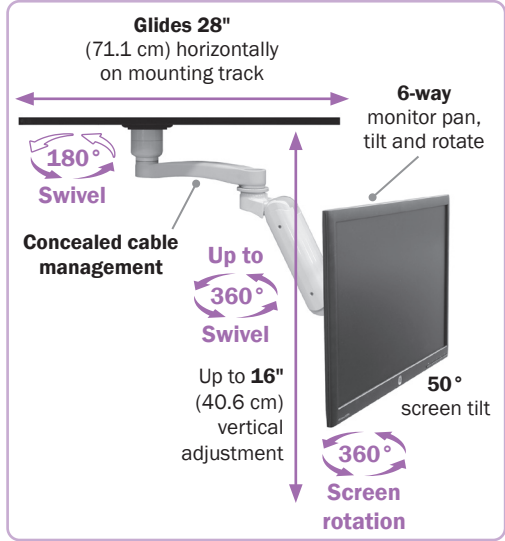
The Pro Slide track allows the mount to glide beneath the cabinet to either side and conveniently stows out of the way when not in use. Mount slides 21.6" (54.9 cm) along track (UL182IEV7S-PS28-D0-KUB model shown above).

# Ultra 180 Undercabinet Monitor Mount

Monitor glides 28" horizontally on undercabinet track. Three range of motion options:

- Desk puck
- Short extension arm
- Standard extension arm

Patented Ultra 180 undercabinet mount offers full range of motion for your monitor. This arm provides up to 180° of vertical arm rotation and 360° of horizontal rotation. The Ultra 180 tucks away under the cabinet when not in use, making it the perfect choice for tight spaces.



SPECIFICATIONS	
<b>Load Capacity</b>	32 lbs (14.5 kg)
<b>Horizontal Glide</b>	28" (71.1 cm)
<b>Ultra 180 Arm Reach</b>	16" (40.6 cm)
<b>Stowed Depth</b>	10" (25.4 cm)
<b>Arm Swivel</b>	Up to 360°
<b>VESA Interface</b>	75 mm and 100 mm

Monitor, keyboard and mouse not included.

**18"** (45.7 cm)

**Ultra 180 arm mounted to 1" DESK PUCK (UL180i-BV-PS28-D1)**

**Price: \$773**

**Pictured Above**

**28"** (71.1 cm)

**Ultra 180 arm mounted to 12" STANDARD A1 Arm (UL180i-BV-PS28-D1-A1)**

**Price: \$845**

**23.5"** (59.7 cm)

**Ultra 180 arm mounted to 6" SHORT AS1 Arm (UL180i-BV-PS28-D1-AS1)**

**Price: \$845**

**ALL ICWUSA PRODUCTS ARE MADE AND MANUFACTURED IN THE USA**



For more options visit our website or call your customer service representative

ULBVI-PS28D0-KDB-A1

## Undercabinet Workstation

Our Undercabinet Workstation mounts beneath overhead cabinets, pulls out when needed and folds out of the way when not in use. Personalize your workstation with a stowable worksurface tray or a flip-up keyboard tray and choose the color that complements your decor.

**6-way monitor pan,**  
tilt and rotate

**Screen tilt**  
at ball joint

**50°**

**90° Flip-up**  
keyboard tray

**14"**  
(35.6 cm)

**360°**  
Screen  
swivel

**360°**

**Accommodates**  
all keyboards and  
most monitors

**Mouse tray** slides  
out on both right and  
left sides

**Glides 28"** (71.1 cm) horizontally  
on mounting track

**180°**

**Concealed cable management** creates  
a neater appearance,  
protects wires,  
simplifies cleaning

SPECIFICATIONS	
<b>Load Capacity</b>	30 lbs (13.6 kg)
<b>Maximum Reach</b>	29.5" (74.9 cm)
<b>Stowed Depth</b>	11.8" (30 cm)
<b>Horizontal Slide</b>	28" (71 cm)
<b>Arm Swivel at Mount</b>	180°
<b>Screen Swivel</b>	360°
<b>Screen Tilt</b>	50°
<b>VESA Interface</b>	75 mm and 100 mm

Monitor, keyboard and mouse not included.

**Price as Shown: \$753**

KPP-PS28D1-A1

## Undercabinet Keyboard Mount

The Ultra Undercabinet Keyboard mount provides ergonomic Paralink keyboard height adjustment to make your workspace more comfortable.

**Price:**  
**\$624**

**90° Flip-up**  
keyboard tray

**7.5"**  
(19 cm)

**270°**

**180°**  
Swivel

**Round edge**  
poly tray

**Mouse tray**  
slides out on both  
right and left sides

**Glides 28"** (71.1 cm)  
horizontally on  
mounting track

**Concealed cable management**

SPECIFICATIONS	
<b>Load Capacity</b>	28 lbs (12.7 kg)
<b>Maximum Reach</b>	29.5" (74.9 cm)
<b>Horizontal Slide</b>	28" (71 cm)
<b>Keyboard Tray Size</b>	20" x 10" (50.8 cm x 25.4 cm)
<b>Mounting Surface</b>	28" (71.1 cm) Undercabinet Track
<b>VESA Interface</b>	75 mm and 100 mm

Monitor, keyboard and mouse not included.

**Keyboard Options**  
See page 52-53 for details.

Standard Color Options

Medical  
White  
(MW)Black  
(WB)Quartz  
Gray  
(QG)7 custom colors available upon  
request. See the inside cover.

ELP5216-CT2-KDB

# NEW! Desk Clamp Computer and Monitor Mount

Strong vice-style clamp can mount workstation or monitors



- **DESK MOUNT HEIGHTS** available for most ICW mount configurations.
- **RUBBER PADS** protect work surfaces from damage during Desk Mount Clamp placement or location readjustment.
- **USER-FRIENDLY** vice-style clamp makes workstation easy to remove, reattach or readjust along the desk's surface.
- **SOLID SUPPORT** for workstations with dual monitors.
- **IDEAL MOUNT** for offices and temporary workstations. Mounts most ICW mounts to a desk/table surface.

SPECIFICATIONS	
<b>Load Capacity</b>	18-45 lbs (8.2-20.4 kg)*
<b>Available Riser Heights</b>	1.25" (3.2 cm), 5" (12.7 cm), 7.5" (19.1 cm)
<b>Minimum Surface Edge Depth</b>	4" (10.2 cm)

Computer, cables, power converter, monitor, keyboard and mouse not included.

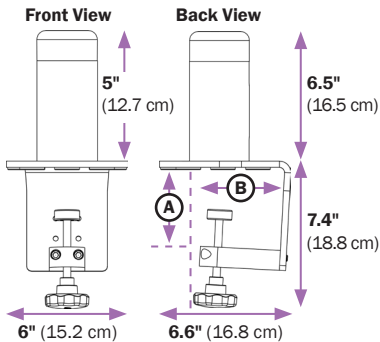
\*Load capacity depends on the capacity of the components mounted on the clamp. The clamp does not decrease or increase the mount's load capacity.

**Range of Motion Video**

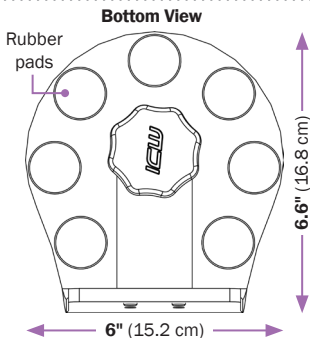


**Price as Shown:**  
**\$994**

### Desk Clamp Drawings (5" Riser Shown)



- A) Clamp fits Surface Edge Thickness up to 3.23" (8.2 cm)
- B) Clamp Surface's Minimum Edge Depth Requirement is 4" (10.2 cm)



For more options visit our website or call your customer service representative

# Tablet Mount - Professional

## Adjustable. Theft-Resistant Fastener.

Securely holds tablets and provides exceptional range of motion. An excellent solution for retail points of sale, healthcare, dental and industrial applications.

- Spring loaded cradle expands and contracts to fit many tablet sizes.
- Theft resistant TABSDM secures tablet to plate. Requires custom ICW key for tablet removal.
- Mount adjusts 16.6" (42.2 cm) vertically, swivels 360°, tilts to any viewing angle.
- Attaches to a counter or desk with either a clamp or desk mount.
- Optional, TAB12 Series will hold larger tablets such as the iPad Pro and Surface 4.
- All tablet mounts have a 100mm x 100 mm VESA pattern so tablet mounts can also be added to any ICW mount.



**TABSDM:** Theft Resistant Desk Mount  
**TABCC:** Clamp Mount

**Price:**  
**\$300**

**TABV:** Tablet Mount Plate with 100mm VESA compatibility

**Price:**  
**\$160**

**TABV12:** For Larger Tablets

**Price:**  
**\$175**

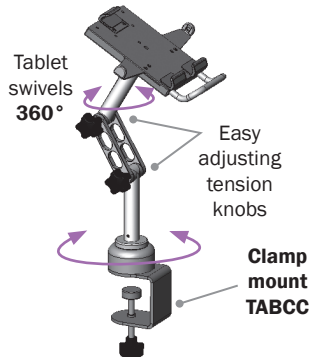
SPECIFICATIONS	
"TAB Series" Tablet Size	<b>Min:</b> 6.5" x 9.5" (16.5 cm x 24.1 cm)
	<b>Max:</b> 8" x 11.5" (20.3 cm x 29.2 cm)
"TAB 12 Series" Tablet Size	<b>Min:</b> 7.5" x 11.5" (19.1 cm x 29.2 cm)
	<b>Max:</b> 9" x 13.5" (22.9 cm x 34.3 cm)
"TAB V12 Series" Tablet Size	<b>Min:</b> 7.5" x 11.5" (19.1 cm x 29.2 cm)
	<b>Max:</b> 9" x 13.5" (22.9 cm x 34.3 cm)

Tablet not included.



**Desk Mount  
 TABSDM**

Range of Motion Video



**Undercabinet  
 Tablet Mount**

### Standard Color Options

Medical White (MW)

Black (WB)

Quartz Gray (QG)

7 custom colors available upon request. See the inside cover.

UL550-D5-KDB-A2

# Ultra 550 Desk Mount

*Effortless adjustability*

## Exceptional maneuverability

The Ultra 550 arm with Paralink interface allows the full articulation of the monitor and keyboard. Extending up to 45" (114.3 cm) from the mount to the tip of the keyboard tray, this arm folds up tightly against the wall when stowed.

SPECIFICATIONS	
<b>Load Capacity</b>	30 lbs (13.6 kg)
<b>Maximum Reach</b>	40" (101.6 cm)
<b>Stowed Depth</b>	3" (7.6 cm) with LCD only
	12" (30.5 cm) with LCD and Keyboard
<b>Arm Swivel</b>	360°
<b>Screen Swivel</b>	360°
<b>Screen Tilt</b>	50°
<b>VESA Interface</b>	75 mm and 100 mm

Monitor, keyboard and mouse not included.

**Price:**  
**\$715**

Range of Motion Video



Wrist rest included

90°

Flip-up keyboard tray

Adjustable rotation stops



Slide out mouse tray on both sides

6-way monitor pan, tilt and rotate

5" (12.7 cm) parallel forward monitor adjustment

6" (15.2 cm) vertical monitor adjustment

Up to 360° Swivel

Concealed cable management creates a neater appearance, protects wires, simplifies cleaning

360° Swivel

### AS1

#### Ultra AS1 Short Extension Arm

Rigid short extension arm adds 6" more reach at either end of arm.

**Price: \$70**

### A1

#### Ultra A1 Standard Extension Arm

Rigid standard extension arm adds 10.5" more reach to Ultra series arms.

**Price: \$70**

Short AS1  
6" (15.2 cm)



Standard A1  
10.5" (26.7 cm)



For more options visit our website or call your customer service representative



## UL510-D5-KDB-A2

# Ultra 510 Desk Mount

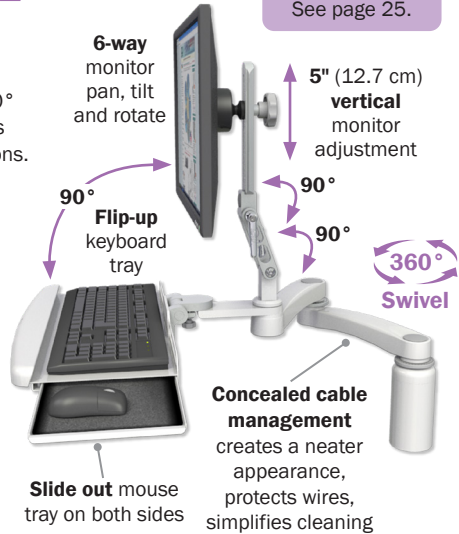
Move components together – adjust them separately

The Ultra 510 workstation has two articulating joints that together offer 90° of tilt adjustment with safety stops, plus two locking handle cranks to set positions. It is widely used in medical and dental settings.

**Price:**  
**\$685**

SPECIFICATIONS	
<b>Load Capacity</b>	18 lbs (8.2 kg)
<b>Maximum Reach</b>	37.5" (95.3 cm)
<b>Stowed Depth</b>	4.5" (11.4 cm) with LCD 9.75" (24.8 cm) with LCD and Keyboard
<b>Arm Swivel</b>	360°
<b>Screen Swivel</b>	360°
<b>Screen Tilt</b>	50°
<b>VESA Interface</b>	75 mm and 100 mm

Monitor, keyboard and mouse not included.



**Wall Mount**  
also available.  
See page 25.

## LUS-D1-A1

# Stowable Laptop Tray

- **OPTIONAL SLIDING MOUSE TRAY** (on LUS model) can be pulled out to left or right side.
- **GENEROUS SIZE** fits most laptop computers. Space-saving profile.
- **ERGONOMIC** laptop tray adjusts to positive, neutral, and negative tilt for maximum ergonomic benefit.
- **STOWS** just 6.25" (15.9 cm) from the wall on an Ultra arm.
- **MOUNTS** to most ICW mount configurations.
- **AVAILABLE** in options that mount to the wall, a wall track, desk or pole.



LUS-D1-A1

**Price as Shown: \$405**

SPECIFICATIONS	
<b>Load Capacity</b>	30 lbs (13.6 kg)
<b>Laptop Tray Size</b>	16.4" width x 12" length (41.7 cm x 30.5 cm)
<b>Stowed Depth</b>	6.25" (15.9 cm)
<b>Tray Swivel</b>	180°
<b>Tray Tilt</b>	90°

Laptop not included.



**Pole Mount Laptop Tray**  
(LUS-P2-A2)

**Price as Shown: \$475**

### Standard Color Options

Medical White (MW)

Black (WB)

Quartz Gray (QG)

7 custom colors available upon request. See the inside cover.

# Pole Mounts

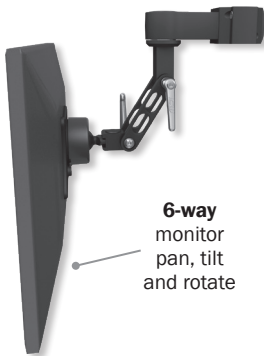


**ELP5220-PT2-KUB**

## Monitor and Keyboard Pole Mount

- 68.25" (173.4 cm) maximum reach with monitor and keyboard
- 50° of screen tilt
- VESA compliant

**Price:**  
**\$1,133**

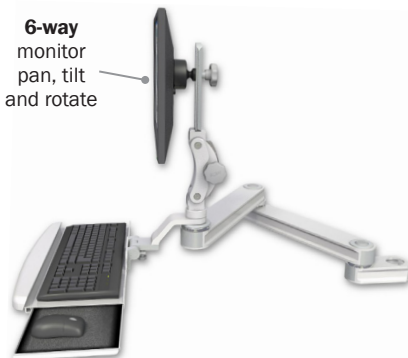


**UL500i-P2**

## Compact Monitor Pole Mount

- Two adjustable tilt joints
- 360° of tilt in any direction (limited by pole)
- 360° of pivot
- VESA compliant

**Price:**  
**\$210**



**T2P2020-PT2-KPP**

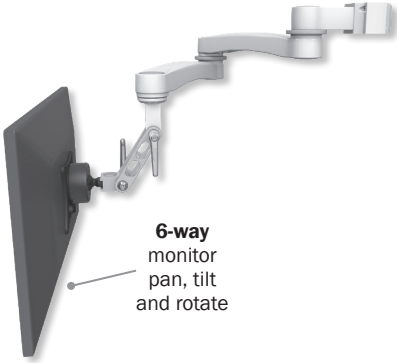
## Monitor and Keyboard Pole Mount

- Full internal cable management
- Parallel keyboard height and monitor depth adjustment
- Round edge poly tray
- VESA compliant

**Price:**  
**\$834**

For more options visit our website or call your customer service representative

Available in 2", 1.75" and 1.5" unless otherwise noted.



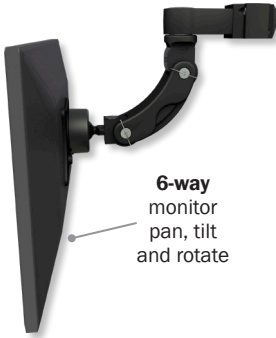
6-way monitor pan, tilt and rotate

**UL500i-P2-A2**

**Monitor Pole Mount**

- Provides vertical and horizontal monitor positioning
- Easily adjusts and tightens into position with indexing handles
- Mounts with two articulating 11" (27.9 cm) arm extensions
- VESA compliant

**Price:**  
**\$350**



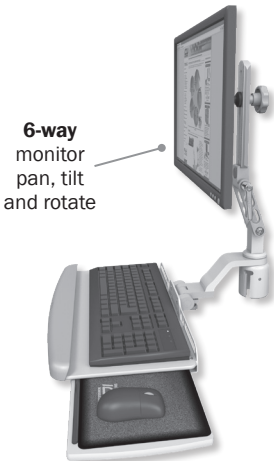
6-way monitor pan, tilt and rotate

**UL560i-P2**

**Monitor Pole Mount**

- Monitor is mounted below the arm and provides a wide range of tilt
- Quicklink adjustor allows full articulation of the monitor
- VESA compliant

**Price:**  
**\$350**



6-way monitor pan, tilt and rotate

**UL510-R2-KUP**

**Monitor and Keyboard Pole Mount**

- Allows full articulation of the monitor
- Two handles next to the monitor tighten the monitor into position
- The monitor can be adjusted 4" (10.2 cm) vertically on two stainless steel rails
- VESA compliant
- *Only available for mounting on 2" pole*

**Price:**  
**\$535**

**Standard Color Options**

Medical White (MW)	Black (WB)	Quartz Gray (QG)	7 custom colors available upon request. See the inside cover.

EV710-DV75

# Ergovision 710 Desk Mount

Your best choice for point of sale locations

The Ergovision 710 desk mount was ergonomically designed to reduce users' neck pain and stiffness.

SPECIFICATIONS	
Load Capacity	28 lbs (12.7 kg)
Vertical Adjust	9.5" (24.1 cm)
Screen Swivel	360°
Screen Tilt	60°
VESA Interface	75 mm and 100 mm

Monitor not included.

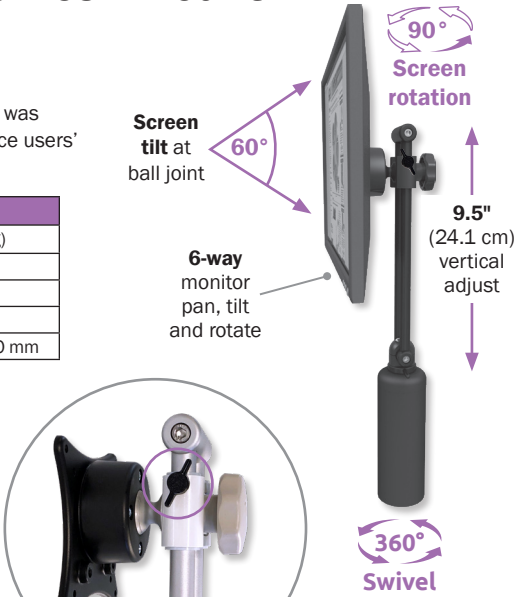
**Price:**  
**\$250**

## Mount Options

Your choice.

Included in base price.

- DV1** Desk mount 1"
- DV3** Desk mount 3"
- DV5** Desk mount 5"
- DV75** Desk mount 7.5"



**EV710 Friction Lock** helps supports heavier monitors. Turn friction lock to secure EV710 slider in place.

## EV65-W2

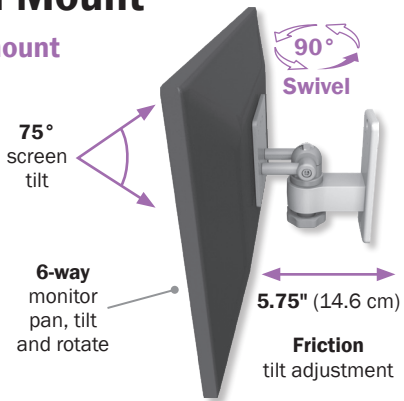
# Ergovision 65 Wall Mount

Compact, durable monitor mount

SPECIFICATIONS	
Load Capacity	30 lbs (13.6 kg)
Distance from Wall	9.5" (24.1 cm)
Screen Swivel	90°
Screen Tilt	75°
VESA Interface	75 mm and 100 mm

Monitor not included.

**Price:**  
**\$180**



For more options visit our website or call your customer service representative

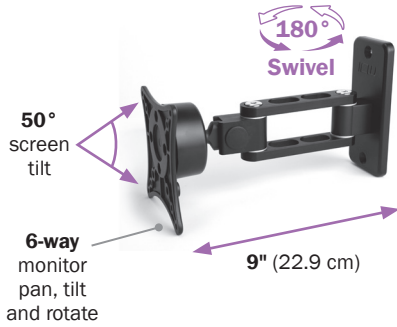
GX270-WM

# Galaxy 270

Pivoting compact arm wall mount

SPECIFICATIONS	
Load Capacity	28 lbs (12.7 kg)
Distance from Wall	9" (22.9 cm)
Stowed Profile	4" (10.2 cm)
Arm Swivel at Mount	180°
VESA Interface	75 mm and 100 mm

**Price:**  
**\$160**



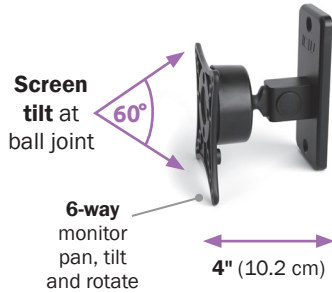
GX170-WM

# Galaxy 170

Compact wall mount

SPECIFICATIONS	
Load Capacity	28 lbs (12.7 kg)
Distance from Wall	4" (10.2 cm)
Arm Swivel at Mount	180°
VESA Interface	75 mm and 100 mm

**Price:**  
**\$110**



FM25, FM26, FM30, FM31

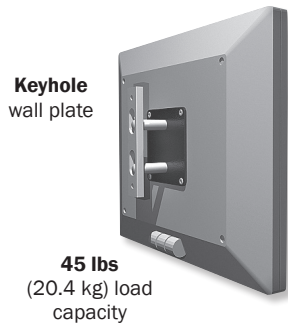
# Fixed Wall Mount

Easy install for kiosks and trade show exhibits

Load Capacity: 45 lbs (20.4 kg)

Model #	Distance from Wall
FM25	2" from wall with VESA 75 plate
FM26	1" from wall with VESA 75 plate
FM30	2" from wall with VESA 100 plate
FM31	1" from wall with VESA 100 plate

**Price:**  
**\$62**



# Keyboard Add-On Tray Options

Prices may vary depending on mounting configuration requirements.  
Call about other keyboard tray sizes.

## KUS

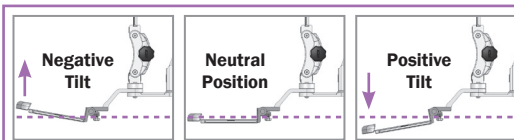
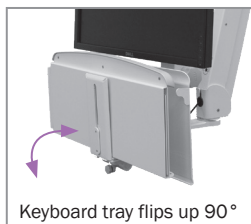
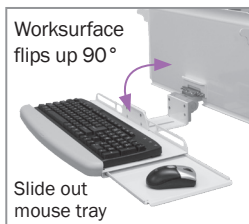
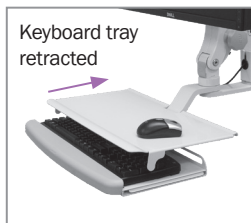
### Keyboard Ultra Slide

The 3-in-1 keyboard features a worksurface tray, keyboard tray and mouse tray in one compact, streamlined unit.

#### SPECIFICATIONS

<b>Keyboard Dimensions</b>	<b>Width:</b> 13" <b>Depth:</b> 8"
<b>Tray Dimensions</b>	<b>Width:</b> 9.25" <b>Depth:</b> 10.2"
<b>Stowed Depth</b>	4"

**Price:**  
**\$375**

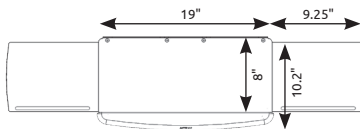


### Keyboard Tray Tilt

Independent keyboard tray tilts while worksurface remains level.

### KUP 19" Poly Tray with Built-In Wrist Rest

Mouse tray slides out on both right and left sides. Hand grip, removable wrist rest. Only available in white.



#### SPECIFICATIONS

<b>Keyboard Dimensions</b>	<b>Width:</b> 19" <b>Depth:</b> 8"
<b>Tray Dimensions</b>	<b>Width:</b> 9.25" <b>Depth:</b> 10.2"

#### Prices

<b>KUP (Ultra Flip-Up)</b>	<b>\$235</b>
<b>KPP (Paralink)</b>	<b>\$239</b>

### KUB 19" Aluminum Tray with Built-In Wrist Rest

Mouse tray slides out on both right and left sides. Hand grip, removable wrist rest.



#### SPECIFICATIONS

<b>Keyboard Dimensions</b>	<b>Width:</b> 19" <b>Depth:</b> 7.5"
<b>Tray Dimensions</b>	<b>Width:</b> 9.25" <b>Depth:</b> 10.5"

#### Prices

<b>KUB (Ultra Flip-Up)</b>	<b>\$225</b>
<b>KPB (Paralink)</b>	<b>\$240</b>

For more options visit our website or call your customer service representative

**KUW****WorkSurface Tray**

**Price:**  
**\$395**

SPECIFICATIONS	
<b>Keyboard Dimensions</b>	<b>Width:</b> 20.75" <b>Depth:</b> 10.5" <b>Height:</b> 2.125"
<b>Tray Dimensions</b>	<b>Width:</b> 9.25" <b>Depth:</b> 10.2" <b>Height:</b> 2.125"
<b>Keyboard Tray Fully Extended</b>	<b>Depth:</b> 20"

**NEW! 16" Tray for Compact Keyboards**



**Price:**  
**\$230**



SPECIFICATIONS	
<b>Keyboard Dimensions</b>	<b>Width:</b> 16" <b>Depth:</b> 10.7"
<b>Tray Dimensions</b>	<b>Width:</b> 7.7" <b>Depth:</b> 7.7"
Available Models	
<b>KU16</b> (with 3" drop)	
<b>KD16</b> (for undercounter)	
<b>KB16</b> (for overhead PS)	

**Steel Keyboard Tray for Magnetic Keyboards (KUX)**

The keyboard tray's steel surface allows magnetic keyboards to firmly attach, making workstation even more convenient.

**Price:**  
**\$250**



SPECIFICATIONS	
<b>Keyboard Dimensions</b>	<b>Width:</b> 19" <b>Depth:</b> 7.5"
<b>Tray Dimensions</b>	<b>Width:</b> 9.25" <b>Depth:</b> 10.5"

*Magnetic keyboard sold separately*

**VESA Quick Connect (VQC) Plate**

CPU with VQC plate shown being detached from back of monitor.



Monitor shown sliding from VQC plate base.

- **MOUNTS** vertically or horizontally (device or monitor must have flat mounting surface to mount quick release plate or a recessed area that must be at least 5" x 5½").
- **EASY ACCESS** to remove monitor or device.
- **ENHANCES ICW MOUNTS.**
- **LOCKING SET SCREEN** to prevent tampering.
- **ATTACHABLE** to all ICW monitor mounts.

SPECIFICATIONS	
<b>Load Capacity</b>	30 lbs (13.6 kg)
<b>Dimensions</b>	5" x 5½" x ½" (12.7 cm x 13 cm x 1.3 cm)
<b>VESA Interface</b>	75 mm and 100 mm

*Monitor not included.*

**Price:** **\$65**

**Standard Color Options**

Medical White (MW)

Black (WB)

Quartz Gray (QG)

7 custom colors available upon request. See the inside cover.

# CPU and Device Mounts

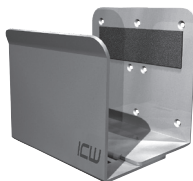
## Clamp-Style Mount



Designed for large and small form factor CPUs, these units are constructed from heavy-duty aluminum, with neoprene padding for protection. Multiple mounting capabilities.



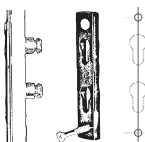
**Small CPU-SF**  
2" to 4.7" wide



**Large CPU-FF**  
4.6" to 8" wide

SPECIFICATIONS	
<b>Load Capacity</b>	45 lbs. (20.4 kg)
<b>CPU-SF Horiz. Adjust.</b>	2" - 4.7"
<b>CPU-FF Horiz. Adjust.</b>	4.6" - 8"
Prices	
<b>All Sizes</b>	<b>\$125</b>

## Frame-Style Mount



The CPU Mini, CPU 2.8, CPU 5 and CPU 7 mounts were designed with a keyhole wall plate that makes it easy to take the CPU off the wall mount for maintenance. Includes security set screw.



**Mini-T CPU-MINI**  
1.0" - 2.2" wide



**Large CPU-7**  
7" - 11" wide

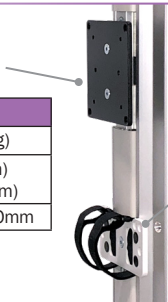
SPECIFICATIONS	
<b>Load Capacity</b>	45 lbs. (20.4 kg)
<b>Mini-T CPU-MINI Horiz. Adjust.</b>	1" - 2.2"
<b>Mini CPU-MINI Horiz. Adjust.</b>	1.86" - 3.2"
<b>Small CPU-2.8 Horiz. Adjust.</b>	2.8" - 5"
<b>Medium CPU-5 Horiz. Adjust.</b>	5" - 7"
<b>Large CPU-7 Horiz. Adjust.</b>	7" - 11"
Prices	
<b>All Sizes*</b>	<b>\$125</b>
<b>Mini-T CPU-MINI</b>	<b>\$130</b>

\*With the exception of Mini-T CPU-MINI.

## FM-25 Fixed CPU Mount

SPECIFICATIONS	
<b>Load Capacity</b>	45 lbs (20.4 kg)
<b>Profile</b>	1.125" (2.9 cm) or 2.25" (5.7 cm)
<b>VESA Interface</b>	75mm and 100mm

**From \$62**



## PAM Power Adapter Mount

Strap your computer or monitor's power adapter to our wall track using this accessory. This works perfectly with the FM-25 above.

**Price:**  
**\$55**



## Adjustable Behind-the- Keyboard Mount

Bracket remains level when keyboard is flipped up to stow.

**Price: \$85**

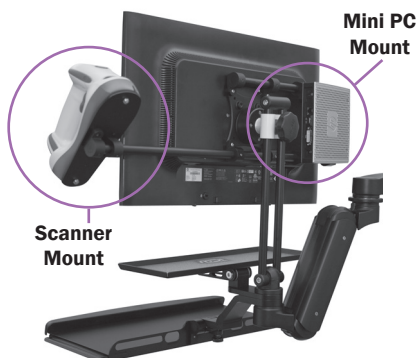
## KSCANBRK Universal Barcode Scanner Bracket

Bracket clips to back of keyboard.

**Price: \$28**







Shown mounted to back of monitor.

## Adjustable Behind the Monitor Scanner Mount and Mini PC Mount

Attaches mini-PCs and scanners to ALL standard VESA mounts. Expands, contracts, tilts and mounts where you need it. Contact your ICW representative for more information.

From  
**\$145**

## NEW! CPUMF Small Form Factor Computer Mount

Sleek and sturdy case protects and neatly stores wide range of small form factor computers and components. Fits small form factor computers up to 7.8" high and 1 to 3" deep (2.5-19.7 cm x 7.6 cm). Mounts to back of monitor, track or wall.

From  
**\$90**

Range  
of Motion  
Video



## CPU12

### Protective mount for small form factor computers

#### Sleek, sturdy case protects and conceals components

- **HOLDS** a range of small form-factor computers that are compatible with 75 mm or 100 mm VESA patterns.
- **FITS** small form factor computers up to 8" wide x 9" high x 2" deep (20.3 cm x 22.9 cm x 5.1 cm).
- **COVER** swings open and lifts off for easy access to interior components, simplifying hardware installation and maintenance.
- **CASE** secures with an easy-access hand knob or a theft-resistant fastener with special key.
- **CABLES** are neatly stowed inside the case and exit through either top or bottom wire ports.
- **VENTILATION** ports on each side prevent overheating of internal components while protecting them from liquids such as cleaning sprays.



Price:  
**\$195**

**Exterior dimensions:** 13" wide x 14" tall x 3" deep (33 cm x 35.6 cm x 7.6 cm)

#### Standard Color Options

Medical  
White  
(MW)

Black  
(WB)

Quartz  
Gray  
(QG)

7 custom colors available upon request. See the inside cover.

# Custom & OEM Mounts from ICWUSA.com

When you have a specialized device mounting challenge, ICWUSA will work with you to create a custom solution that's effective and easy to use. Our in-house design, engineering and manufacturing make it possible to produce custom and OEM mounts for any device.

## 1 Made in USA means quality and high-speed turnaround

- ▶ Flexible, on-site manufacturing means we can quickly customize an existing mount to fit your specific device.

## 2 Over 6,000 modular arm configurations

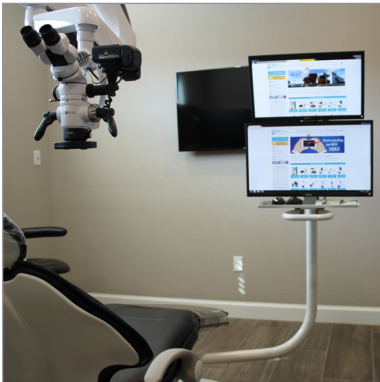
- ▶ World's largest variety of mounts.
- ▶ Our standard mounts have been modularly designed to integrate with each other and which fit most customer applications.

## 3 On-site design, engineering and manufacturing

- ▶ Designed, engineered, manufactured and assembled in Medford, Oregon, USA.
- ▶ The caliber of our mounts is unmatched by products made overseas.

## 4 Durability you can depend on

- ▶ We construct our mounts using heavy duty internal and external components for long life.
- ▶ ICW mounts are finished with tough powder coating that's easy to clean and resistant to chemicals.



Using our standard arms as a foundation, ICW will build custom solutions catered to fit your specific workspace needs.



## 5 We'll engineer a fully custom mount to meet your challenges

- ▶ When you have a specialized device mounting challenge, ICW will work with you to create a solution that's effective and easy to use.
- ▶ Our in-house design, engineering and manufacturing enable us to produce custom mounts for any device.

## 6 Get the mounting solution you need, when you need it

- ▶ You won't have to send your work order overseas and wait two weeks for an answer.

## 7 Outstanding customer support

- ▶ Experienced, knowledgeable, on-site staff will answer your questions.



### Custom & OEM Mounts Brochure



For more information, check out our Custom & OEM Mounts brochure by holding your phone's camera over the QR code (a picture may need to be taken). You can also download a PDF of this brochure and other documents at [www.icwusa.com](http://www.icwusa.com).

## Product Warranty

### What the Warranty Covers:

ICWUSA.com, Inc. warrants our product, under normal use, is free from any defects in materials and workmanship during the warranty period. ICWUSA.com, Inc., will, at its sole discretion, repair or replace the product with the same or like product.

### How Long the Warranty is Effective:

All ICW components are warranted for 5 years from the original date of purchase, unless otherwise noted.

### Who the Warranty Covers:

ICW extends the warranty to the first consumer purchaser when sold by ICWUSA.com, Inc., or an authorized dealer or distributor.

### What the Warranty Does Not Cover:

1. Damage, deterioration, or malfunction resulting from any of the following:
  - Accident, misuse, neglect, fire, water, lightning, or other acts of nature; unauthorized product modification, or failure to follow instructions supplied with the product
  - Repair or attempted repair by anyone not authorized by ICWUSA.com, Inc.
  - Removal or installation of the product

- Use of supplies or parts not meeting ICWUSA.com, Inc.'s specifications
  - Normal wear and tear
2. Any products used for rental purposes
  3. Any ICW product that has been custom modified by anyone other than ICW
  4. Removal, installation, or set up service charges.
  5. Freight charges to return the product to ICWUSA.com, Inc. are the customer's responsibility.
    - On warranty repairs, ICWUSA.com, Inc. will return product to the customer via ground freight. International customers are responsible for the freight charges both ways, including customs, duties and taxes.

### How to Get Service:

To obtain service warranty, you will be required to provide the following:

1. The original dated invoice
2. Your name
3. Your address
4. A description of the problem
5. The part number and color

**For information about receiving service under warranty, contact ICW Customer Support at 1-800-558-4435 or sales@icwusa.com.**

## Return Policy

**Thank you for purchasing your ICW mounting products.** If you are not satisfied with your order, you may return the product(s) within 90 days of the date of invoice with a minimum 20% restocking fee.

**Orders over 10 mounts are not returnable unless approved on an order by order basis. All returns are subject to a repair fee based on the condition of the returned product.**

**No returns on custom modified products or OEM (original equipment manufacturers) units.**

**Customers must request a Return Merchandise Authorization (RMA) from ICW by phone.** Please call ICW at 800-558-4435 between the hours of 6:00 a.m. - 4:00 p.m. Pacific Time.

### Be prepared with the following information:

- Invoice number, sales order number or Purchase Order number
- Part number(s) and product(s) being returned
- Detailed explanation of reason for return
- Name of the person who ordered the product, their phone number and email address
- Name of a user of the product, their phone number and email address

**Please follow these instructions to return your product:**

1. **RMAs must be obtained within 90 days of the date of invoice.**
  - No return requests will be granted for discontinued products or custom modified

products, including custom paint or coating without prior approval.

2. **Return authorization will be confirmed by e-mail** and will include a Return Merchandise Authorization label provided by ICW that is to be inserted into the packaging and attached to the outside of the packaging.
  - Merchandise must be returned in the original packaging
  - Merchandise must prominently display the RMA number on the outside of the packaging
  - Package must contain a signed copy of the RMA with the product
  - Customer is responsible for return freight costs and any damages caused in shipping
  - ICW must receive the product within 15 days from the issue date of the RMA to ensure proper credit
3. **Unauthorized returns** or any returned merchandise that does not have an RMA number will be quarantined. Quarantined product will be returned to the customer at the customer's expense. Quarantined product not picked up within 15 days of notification will be recycled, no credit will be issued.
4. **Regularly stocked ICW products that are returned after 90 days** from the date of invoice will be charged a minimum 20% restocking fee. No returns for products over 90 days. Additional fees for damaged product or parts that need rework may also apply.



**Kingsley Facility**

## About ICWUSA.com, Inc.

ICW is a majority women-owned U.S.-based design, engineering and manufacturing company with modern facilities located in Medford, Oregon. The company produces high-quality, professional mounting systems for computer equipment and other instruments for medical, dental, clean room, custom and manufacturing/industrial markets. ICW's flexible, onsite manufacturing process enables the company to quickly respond to customer needs.

*Our Products*



*Are Recyclable*



**Grumman Facility**

**ICW** DISCOVER THE ADVANTAGE  
[www.icwusa.com](http://www.icwusa.com)

**1-800-558-4435**

CUSTOM SOLUTIONS • ADVANCED ARTICULATION • ERGONOMIC COMFORT • SOLID SUPPORT

1487 Kingsley Drive, Medford, Oregon USA 97504

Outside US: 541-608-2824

Fax: 541-608-2797

